

Hope Table

of  *STILE*[®]

2021



STILES[®]
introduce you
HOPE Table

Hope Table

The idea of this project comes from the desire to create a line of industrially inspired tables with an essential and gritty design, that combines the use of new technologies with the craftsmanship that is typical of Made in Italy. Distinctive features of this series of tables are the visible screws, and the intentionally rough finishes, designed with an essential and well-thought-out concept. The tables of the Hope line are customizable: the plain or perforated mesh top, can have a second shelf to be used as an object holder and a footrest cross; they can be manufactured in different heights and dimensions, finding their place in different indoor and outdoor contexts, creating a range with a high expressive content. Check out all its variants and get inspired!

*Hope
Table*



*Hope
Table*



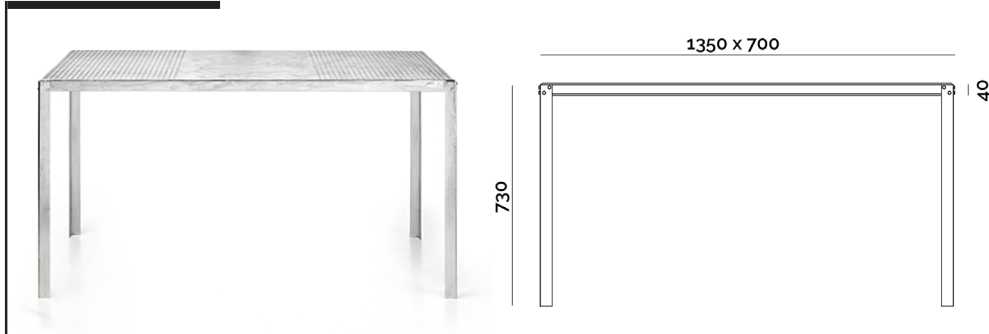
*Hope
Table*



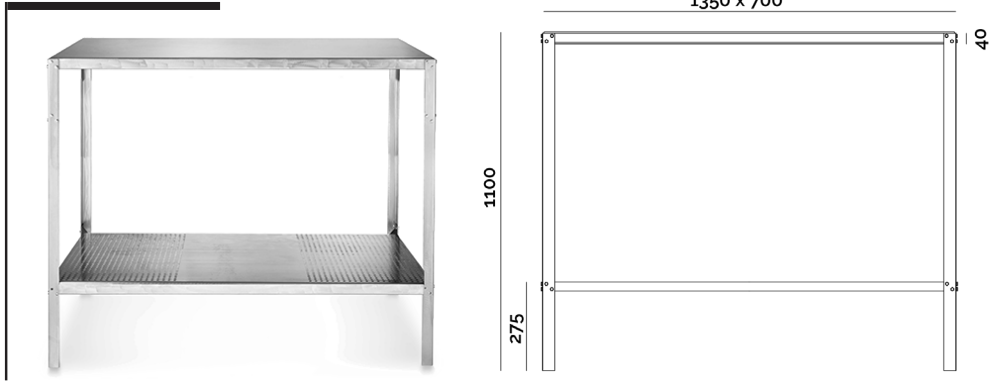
design by R&D DEPARTMENT

Hope Plus table

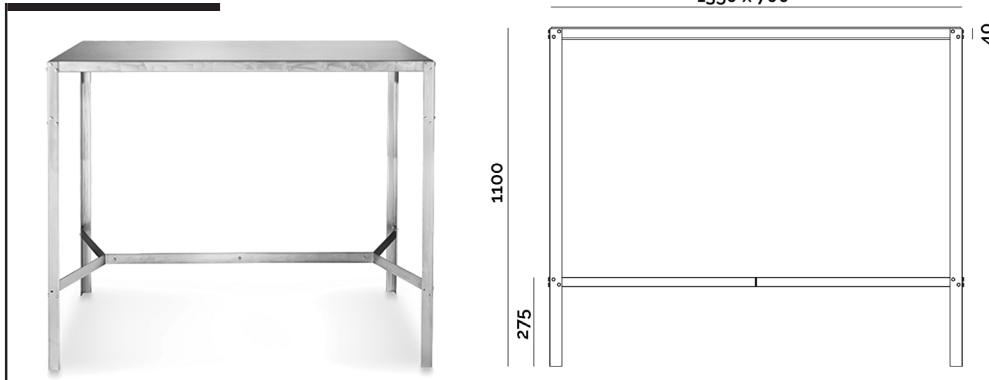
Hope Plus table



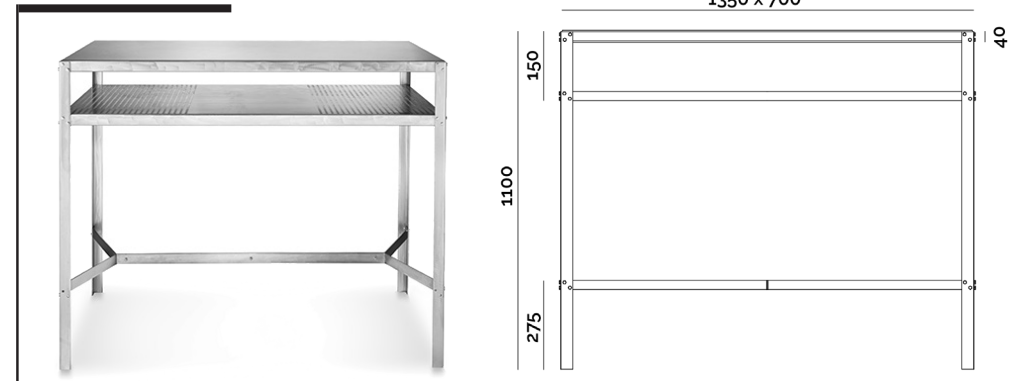
Hope/A2 Plus table



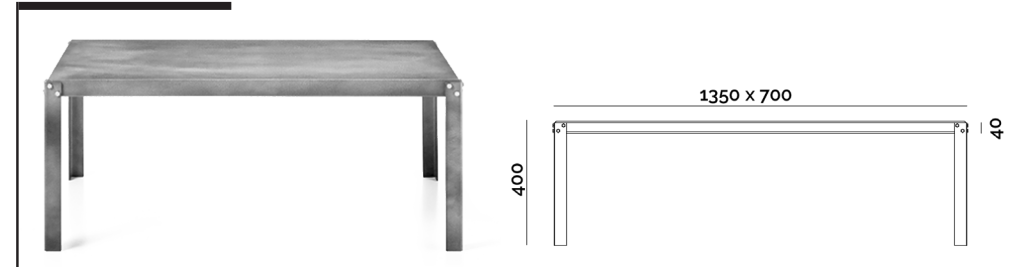
Hope/A1 Plus table



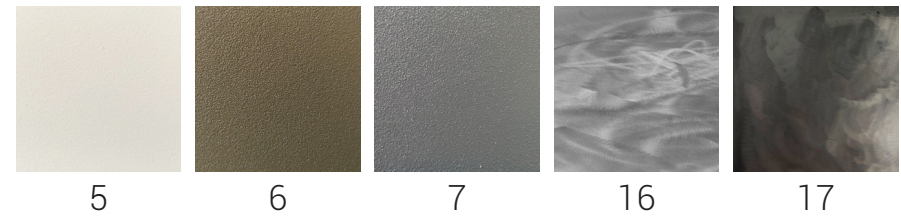
Hope/A3 Plus table



Hope/B Plus table

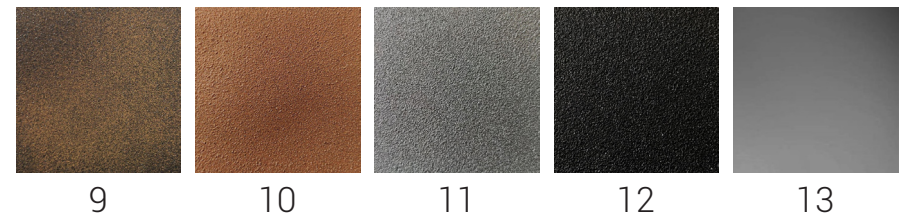


Standard finishes



05. Wrinkle White, 06. Wrinkle Cappuccino, 07. Wrinkle Grey, 16. Industrial Brushed Galvanized, 17. Industrial Brushed Burnished Steel

Industrial paintings



09. Corten, 10. Rust, 11. Graphite Grey, 12. Coal Black, 13. Gunmetal

Note

The industrial finishes are made with artisan procedures and there can be variations in color from production to production. Top measurements are indicative or recommended by PF STILE.

*Hope
Table*



*Hope
Table*



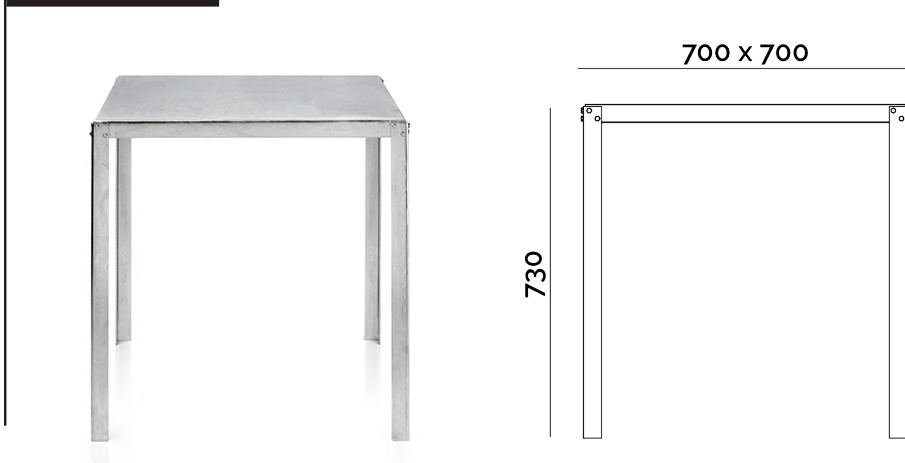
*Hope
Detail*



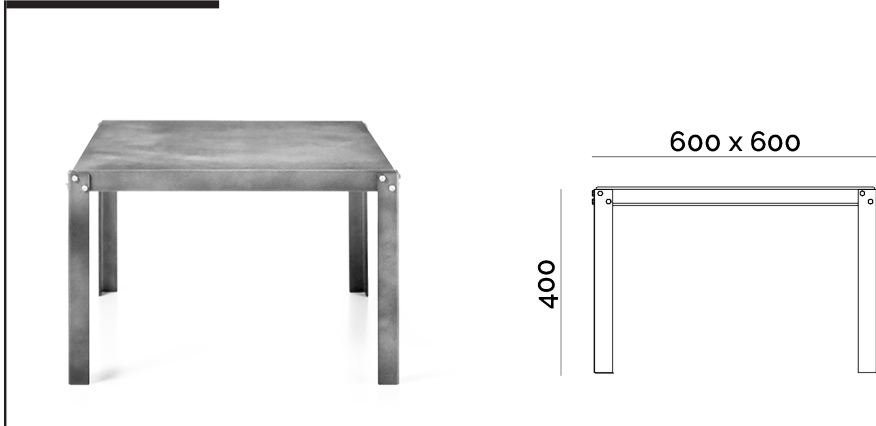
design by R&D DEPARTMENT

Hope e Hope/B table

Hope table



Hope/B table



Standard finishes



5 6 7 16 17

05. Wrinkle White, 06. Wrinkle Cappuccino, 07. Wrinkle Grey, 16. Industrial Brushed Galvanized, 17. Industrial Brushed Burnished Steel

Industrial paintings



9 10 11 12 13

09. Corten, 10. Rust, 11. Graphite Grey, 12. Coal Black, 13. Gunmetal

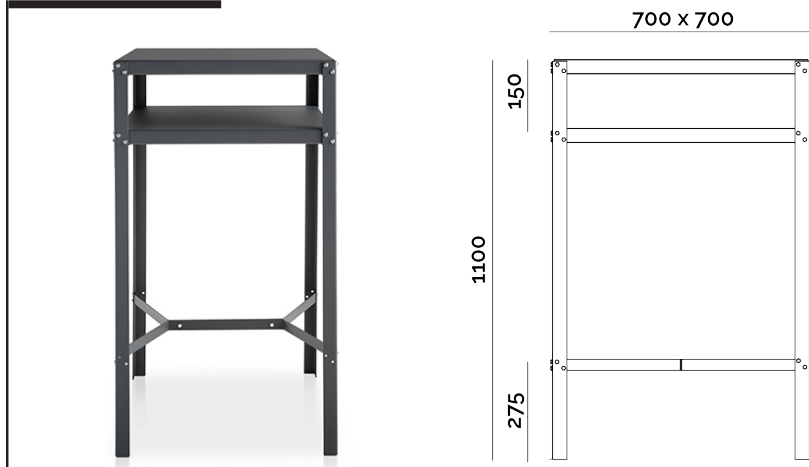
Note

The industrial finishes are made with artisan procedures and there can be variations in color from production to production. Top measurements are indicative or recommended by PF STILE.

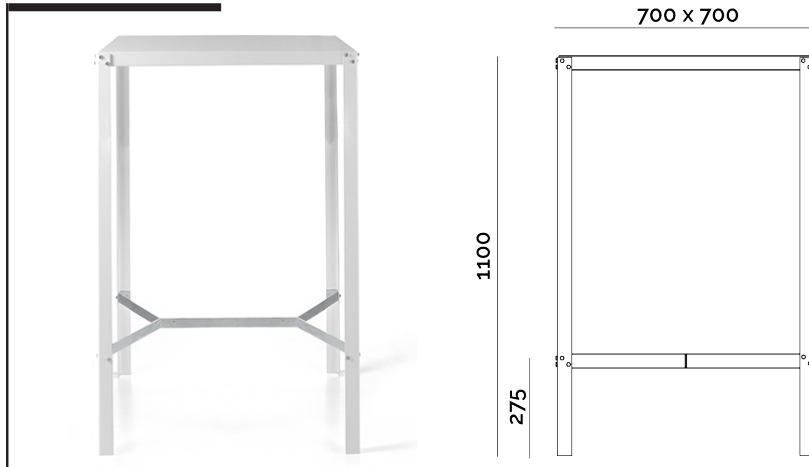
design by R&D DEPARTMENT

Hope/A table

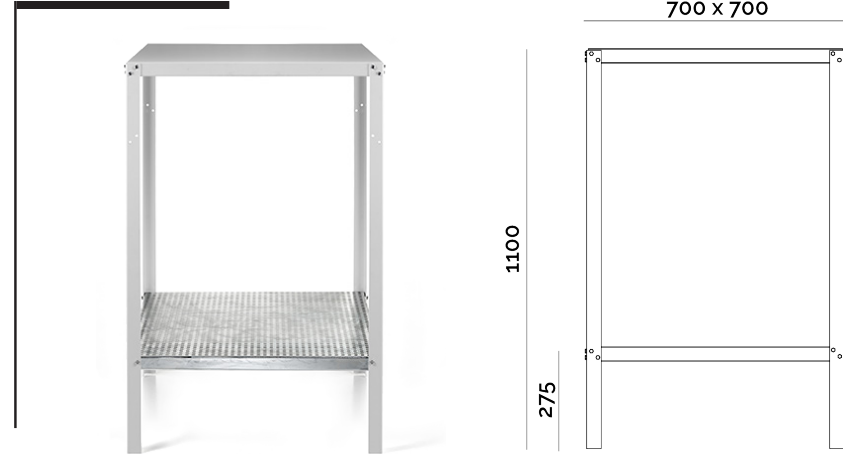
Hope Plus/A3 table



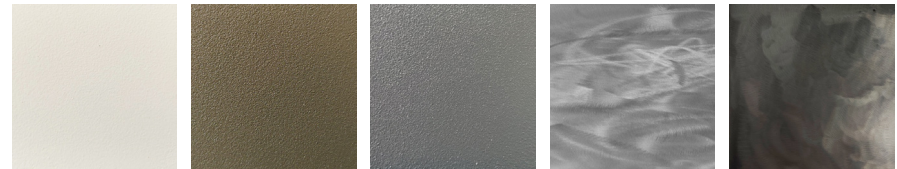
Hope/A1 table



Hope/A2 table



Standard finishes



5

6

7

16

17

05. Wrinkle White, 06. Wrinkle Cappuccino, 07. Wrinkle Grey, 16. Industrial Brushed Galvanized, 17. Industrial Brushed Burnished Steel

Industrial paintings



9

10

11

12

13

09. Corten, 10. Rust, 11. Graphite Grey, 12. Coal Black, 13. Gunmetal

Note

The industrial finishes are made with artisan procedures and there can be variations in color from production to production. Top measurements are indicative or recommended by PF STILE.

Contacts

Via Lago Maggiore, 25

36077 Altavilla Vic.na

Tel. 0444 340669

Mail. info@pfstile.it

Website

pfstile.it

Pinterest

pinterest.it/pfstile

Facebook

facebook.com/PFSTILE

Instagram

instagram.com/pfstile