

KE



Genius A2C installed by Seattle Shade & Awning

GENNIUS



REIMAGINE YOUR LIVING SPACE

KE Genius pergolas can protect you from wind, rain and the sun's harmful UV rays. Genius combines the beauty of a pergola with the flexibility of a retractable awning and the comfort and convenience of an additional room for your home or business.

Genius can cover a small deck, a large patio, or an expansive pavilion. Modular design allows multiple units to be connected without the need for additional supports, providing the least obstructed usable space and unlimited coverage area, even for large venues.

Whether you choose a flexible, retractable, waterproof fabric, or aluminum louvers, there is a Genius pergola that is perfect for your needs. Genius pergolas include a rain management system that provides complete protection from wet weather, including a system of hidden, integrated gutters that channel water right down to the ground. Optional screen with zippered side rails not only provide shade and help reduce late-day glare, but also help block mosquitoes and reduce wind. Crystal-clear vinyl sides are available and LED lighting can extend your hospitality well past dark.

GENNIUS FEATURES

ADD LIVING SPACE TO YOUR DECK OR PATIO BY CREATING THE PERFECT OUTDOOR ENVIRONMENT FOR FAMILY AND FRIENDS TO ENJOY



EXTERNAL LIGHTING

LED lighting accents the beauty of the frame and provides functional lighting along the perimeter



INTERNAL LIGHTING

Integrated lighting extends use into the evening hours with beautiful illumination



MODULAR OPTIONS

Gennius pergolas can be installed as multiple, connected units for unlimited coverage area



WATERPROOF

Gennius pergolas use an integrated gutter system to efficiently manage rainwater



WIND RESISTANCE

Gennius pergolas are tested to withstand up to Class 9 on the Beaufort Scale



LOUVER SYSTEM

Kedry louvers rotate to let you create just the right mix of sun and shade. Louvers are water-tight when closed



EASY INSTALLATION

KE pergolas are easy to install and provide many years of reliable service and enjoyment



AUTOMATION

Features can be controlled remotely or through automated weather sensors



PRE-ENGINEERED

All Kedry pergolas are pre-engineered and certified for installation in all 50 states

GENNIUS FEATURES

VALUABLE FEATURES AND OPTIONAL ACCESSORIES CREATE A PERSONALIZED OUTDOOR EXPERIENCE FOR MANY YEARS TO COME



ENCLOSURE OPTIONS

Gennius pergolas can be enclosed with motorized screens, curtains or crystal clear vinyl windows



ALUMINUM

KE components are made of powder-coated aluminum with stainless steel fasteners



ZIP RAIL SCREENS

Optional screens provide protection from insects, increase privacy and reduce unwanted sun glare



HIDDEN HARDWARE

Fasteners are hidden to provide an elegant and sleek appearance



WALL MOUNTED

Gennius pergolas can be mounted to an existing wall



SELF STANDING

Gennius pergolas are strong, durable, free-standing structures



GABLE ENDS

Provide additional weather protection and a finished appearance for sloped-roof pergolas



ARCHED ROOF

Isola has an arched roof that eliminates the need for slope and also provides a more compact profile



USA

Gennius products are built in the United States to your specifications

DISCOVER KE GENNIUS

CLASSIC STYLE WITH MODERN FUNCTION

10 ISOLA 2

Max width 18'
Max projection up to 29'6"
Available as wall-mounted or freestanding



28 GENNIUS A2C

Single, Wall-mounted
Max width 42'8"
Max projection up to 26'3"



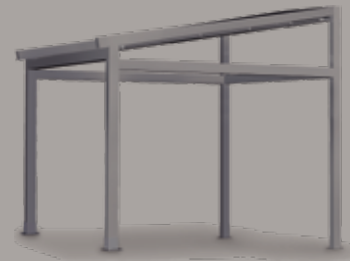
16 KEDRY PLUS

Max width 13'
Max projection up to 26'6"
Available as wall-mounted or freestanding



30 GENNIUS A2C

Single, Free-standing
Max Width 42'8"
Max Proj up to 23'10"



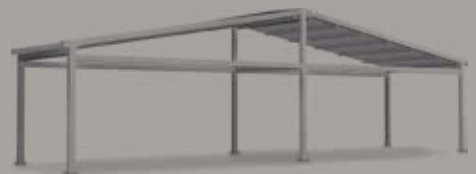
22 GENNIUS A 100

Max width 42'8"
Max projection up to 18'



32 GENNIUS A2C

Double, Free-standing
Max Width 42'8"
Max Proj up to 47'3"



34 GENNIUS L1S

Max width 42'8"
Max projection up to 19'8"
Choice of Dark Walnut or Mahogany
Wood Frame



46 LIGHTING OPTIONS

Lighting options extend your outdoor enjoyment and hospitality well into the evening hours, and create a beautiful overall appearance.



40 GENNIUS T1

Max width 42'8"
Max projection up to 29'6"
Attaches to existing structure



48 ADDITIONAL FEATURES

Spot lights, certification, frame colors.



44 ENCLOSURE OPTIONS

Pergolas can be enclosed with a wide variety of vertical screens, or curtains, or glass.



52 SPECIAL STRUCTURES, AUTOMATION & FABRICS

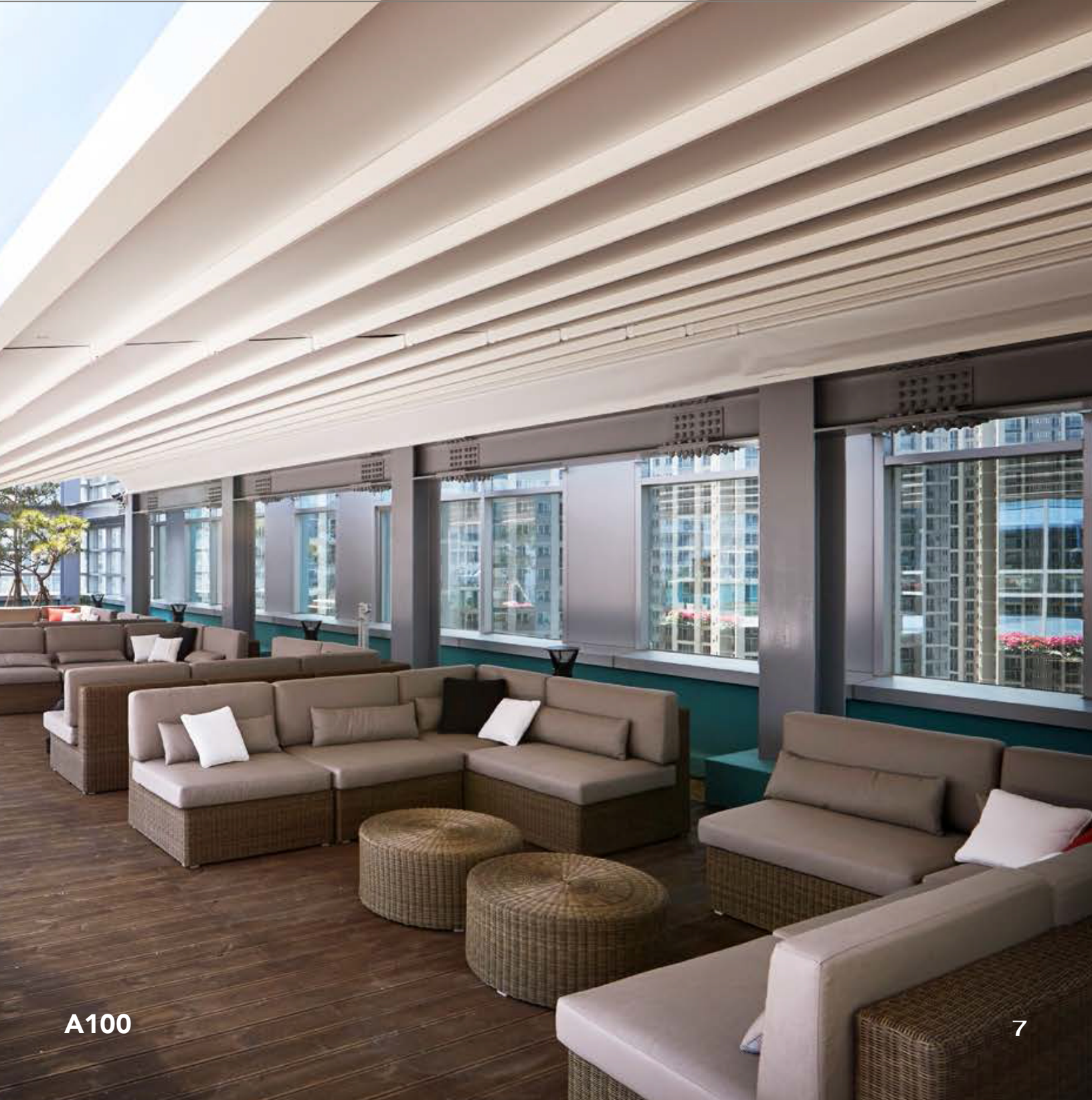


EXTEND YOUR OUTDOOR SEASON...

- No more worries about getting rained on having to move indoors
- Expand seating capacity and add excitement to your venue
- Add ambiance and keep the activity going even after dark with optional integrated LED lighting
- Fully protect the space with optional motorized screens or crystal clear vinyl
- Perfect for hotels, restaurants, golf clubs, sports bars, or luxurious hospitality anywhere



GENNIUS PROVIDES PROTECTION FROM THE ELEMENTS IN LUXURIOUS STYLE. HIGH QUALITY, BEAUTIFUL DESIGN, RELIABLE PERFORMANCE AND MODERN AUTOMATION ADD UP TO AN EXCELLENT INVESTMENT FOR YEARS TO COME.



ISOLA 2





The Isola 2 is installed level (no slope required). This waterproof structure can be installed as a freestanding unit, a wall mounted, or as a retractable roof over any suitable, pre-existing sub-structure of your choosing.

Isola 2 differs from other Gennius products in that its roof is slightly curved to direct rainwater into a system of hidden gutters around the perimeter. Water drains down through the columns to ground level, unnoticed by its occupants. The design of the square columns, eaves and roof system make the Isola 2 extremely compact and aesthetically beautiful.

Single unit width goes up to 18' and projection up to 29'6". Isola 2 can provide cover to any part of your outdoor living area. Units with projections over 23' require additional column supports.

Fabric Options - 3-ply waterproof construction

- Ferrari 602 is a waterproof blackout fabric that can block 100% of damaging and uncomfortable UV light and heat and prevents the visible shadow of debris such as leaves and twigs that can accumulate on the roof.
- Ferrari 502 is a waterproof semi-translucent fabric that comes in a variety of colors.
- Ferrari W96 is a clear coated waterproof mesh for when transparency is desired.

Motorized operation can be controlled through an app on a mobile device and controls are compatible with home automation systems.

Wind resistance is rated up to Class 9 on the Beaufort Scale (41-47 mph). Isola 2 is not designed to hold a snow load.

Accessorize your Isola 2 with dimmable LED lights, motorized screens, clear vinyl windows and Somfy® sun, wind, or rain sensors to add automation to your pergola.









KEDRY PLUS



13'
wide



26'6"
proj.



LED
Lighting



4 weeks
Lead Time



Wall
Mounted



Free
Standing



Louver
System



Learn More



Kedry Plus is installed level (no slope required). This waterproof structure has a louvered roof with motorized blades that rotate to accommodate your desired balance of light and shade.

Kedry Plus can be installed as a freestanding unit with blades parallel or perpendicular to the wall to suit your preferred configuration. Or, it can be used as a roof on top of an existing sub-structure.

The powder coated aluminum roof louvers close tightly to create a waterproof seal against rain. Each louver blade contains a unique channel design, including specialized gaskets that seal tight to ensure that no rain drops or trickling of water will fall on you or your guests when the louvers are opened or closed.

Designed to fit perfectly and blend well in any kind of outdoor space, Kedry can be fully automated with the addition of rain and wind sensors and is compatible with home automation systems.

Enclosure options include motorized screens, clear vinyl windows or curtains. Zip rails ensure a tight fit to block insects, reduce wind and eliminate screen sway on breezy days.

Maximum width of a single unit is 13' and projection goes up to 26'6". Units over 19'8" require additional column supports. Kedry is available as a freestanding unit with 4 legs, or wall-mounted with front legs, or on top of an existing pergola or other suitable structure.

Create a custom outdoor kitchen with Kedry Plus









GENNIUS A 100



42'8"
wide



18'
proj.



LED
Lighting



Home
Automation



4 weeks
Lead Time



Wall
Mounted



Learn More



The Gennius A100 is an elegant looking pergola, similar to the A2C model but slimmer in appearance due to its narrow profiles. The waterproof fabric is sealed against the patented side rails with a double gasket to prevent leaks as it directs rainwater through a system of integrated gutters and downspouts.

Structural rafter and post columns are engineered with strong, extruded aluminum. Guide rails can be attached to brackets on either a wall, soffit, or roof. Easy to install, the A100 is a durable, wind-resistant shading solution for a wide range of spaces. Optional gable ends are available to complete the enclosure for a finished appearance.

Widths wider than 14'9" require additional guide rails and posts. Width of a single unit goes up to 42'8" and projection up to 18'.

Fabric Options - 3-ply waterproof construction

- Ferrari 602 is a waterproof blackout fabric that can block 100% of damaging and uncomfortable UV light and heat and prevents the visible shadow of debris such as leaves and twigs that can accumulate on the roof.
- Ferrari 502 is a waterproof semi-translucent fabric that comes in a variety of colors.
- Ferrari W96 is a clear coated waterproof mesh for when transparency is desired.

Slope is essential to properly manage rainwater with the A100 system. Motorized operation can be controlled through the use of an app on a mobile device.

An optional hood protects the motor assembly and keeps debris from collecting on the folded fabric when the A100 is retracted.

Create a complete enclosure with optional integrated zippered rail screens. Screens can operate manually or motorized. Fabric options include sun-screen mesh or crystal-clear vinyl windows.

A100 can also be installed without posts, mounted on top of a suitable existing structure to create a retractable roof space wherever you need it.









A100

25

GENNIUS A2C



42'8"
wide



26'3"
proj.



LED
Lighting



Home
Automation



4 weeks
Lead Time



Wall
Mounted



Free
Standing



Learn More



Genius A2C Single Freestanding.....Max Width 42'8" x Max Proj 23'10"
Genius A2C Wall Mounted.....Max Width 42'8" x Max Proj 26'3"
Genius A2C Double Freestanding.....Max Width 42'8" x Max Proj 47'3"

The Gennius A2C is a beautiful pergola in all seasons. The tensioned fabric is sealed against the patented side rails with a double gasket to direct rainwater into a system of integrated gutters and downspouts. Structural rafter and post columns are engineered with strong, extruded aluminum profiles, making A2C durable, wind-resistant and easy to install.

Width dimensions in a single unit go up to 42'8". Widths greater than 14'9" require additional guide rails and posts. Projection dimensions go up to 26'3".

Fabric Options - 3-ply waterproof construction

- Ferrari 602 is a waterproof blackout fabric that can block 100% of damaging and uncomfortable UV light and heat and prevents the visible shadow of debris such as leaves and twigs that can accumulate on the roof.
- Ferrari 502 is a waterproof semi-translucent fabric that comes in a variety of colors.
- Ferrari W96 is a clear coated waterproof mesh for when transparency is desired.

Slope is essential to properly manage rainwater. Complete your outdoor space with optional integrated zippered drop screens that can be operated either manually or motorized. Fabric options include sunscreen mesh or crystal-clear vinyl.

Gennius A2C is available in Single Freestanding, Double Freestanding or top-mounted configurations.









A2C

31

GENNIUS L1S



42'8"
wide



19'8"
proj.



LED
Lighting



Home
Automation



4 weeks
Lead Time



Wall
Mounted



Learn More



The Gennius L1S has the distinction of being the only KE pergola that is made with wood rails. Available in either a Dark Walnut or Semi-gloss Mahogany finish, L1S adds a feeling of warmth and nostalgia to the KE Gennius line.

The L1S fabric guide rail system is supported by engineered, laminated wood rafters, header and columns. The fabric is sealed against the patented side rails with a double gasket design to direct rainwater through a system of integrated gutters and downspouts. Easy to install, L1S is a durable, wind-resistant shading solution whose style fits any outdoor space.

Widths wider than 14'9" require additional guide rails and posts. Width dimensions in a single unit go up to 42'8". Projection dimensions up to 19'8".

Fabric Options - 3-ply waterproof construction

- Ferrari 602 is a waterproof blackout fabric that can block 100% of damaging and uncomfortable UV light and heat and prevents the visible shadow of debris such as leaves and twigs that can accumulate on the roof.
- Ferrari 502 is a waterproof semi-translucent fabric that comes in a variety of colors.
- Ferrari W96 is a clear coated waterproof mesh for when transparency is desired.

Slope is essential to properly manage rainwater. Motorized operation can be controlled through an app on a mobile device. The optional hood protects the motor assembly and keeps debris from collecting on the folded fabric when your L1S is retracted.

Complete your outdoor space with optional, integrated Zip rail drop screens. Screens can be operated manually or motorized. Fabric options include sunscreen mesh or crystal-clear vinyl.









GENNIUS T1



42'8"
wide



29'6"
proj.



LED
Lighting



Home
Automation



4 weeks
Lead Time



[Learn More](#)



The Gennius T1 is designed specifically to install easily to an existing pergola or substructure. The T1 can also serve as a front-to-back connection in courtyards or other open space areas without posts. The fabric roof is sealed against the patented side rails with a double gasket design for superior rainwater management.

Structural rafters are engineered with heavy duty, extruded aluminum profiles, providing excellent protection against wind and rain. All Gennius pergolas are stylish and strong, perfect for any residential or commercial application.

Widths wider than 14'9" require additional guide rails. Width dimensions in a single unit go up to 42'8". Projection dimensions go up to 29'6" when supported by an existing structure. A special heavy duty A1 rail is utilized for front-to-back connections up to a 21' maximum projection.

Fabric Options - 3-ply waterproof construction

- Ferrari 602 is a waterproof blackout fabric that can block 100% of damaging and uncomfortable UV light and heat and prevents the visible shadow of debris such as leaves and twigs that can accumulate on the roof.
- Ferrari 502 is a waterproof semi-translucent fabric that comes in a variety of colors.
- Ferrari W96 is a clear coated waterproof mesh when transparency is desired.

Slope is essential to properly manage rainwater. Motorized operation can be controlled through an app on a mobile device. An optional hood protects the motor assembly and keeps debris from collecting on the folded fabric when your T1 is retracted.





ENCLOSURE OPTIONS

Isola 2 shown with semi-transparent screening to reduce the heat and light intensity of bright sunshine.





Motorized vertical screens provide an elegant solution to control sun glare and create a more comfortable, semi-enclosed outdoor space.

Glass screens provide protection from the elements and the cold all year long and create a beautiful, inviting outdoor space for entertaining, dining and celebrating.



LIGHTING OPTIONS



KE Isola 2 and KEDRY Plus have the LED Strip Lights option on the projection dimension of the pergola. These low voltage lights are installed inside of the channel on the gutter and are dimmable by remote control. Dimmable LED strips are also available for the width dimension as well.





Somfy 24V DC LED Receiver



SPOT LIGHTS

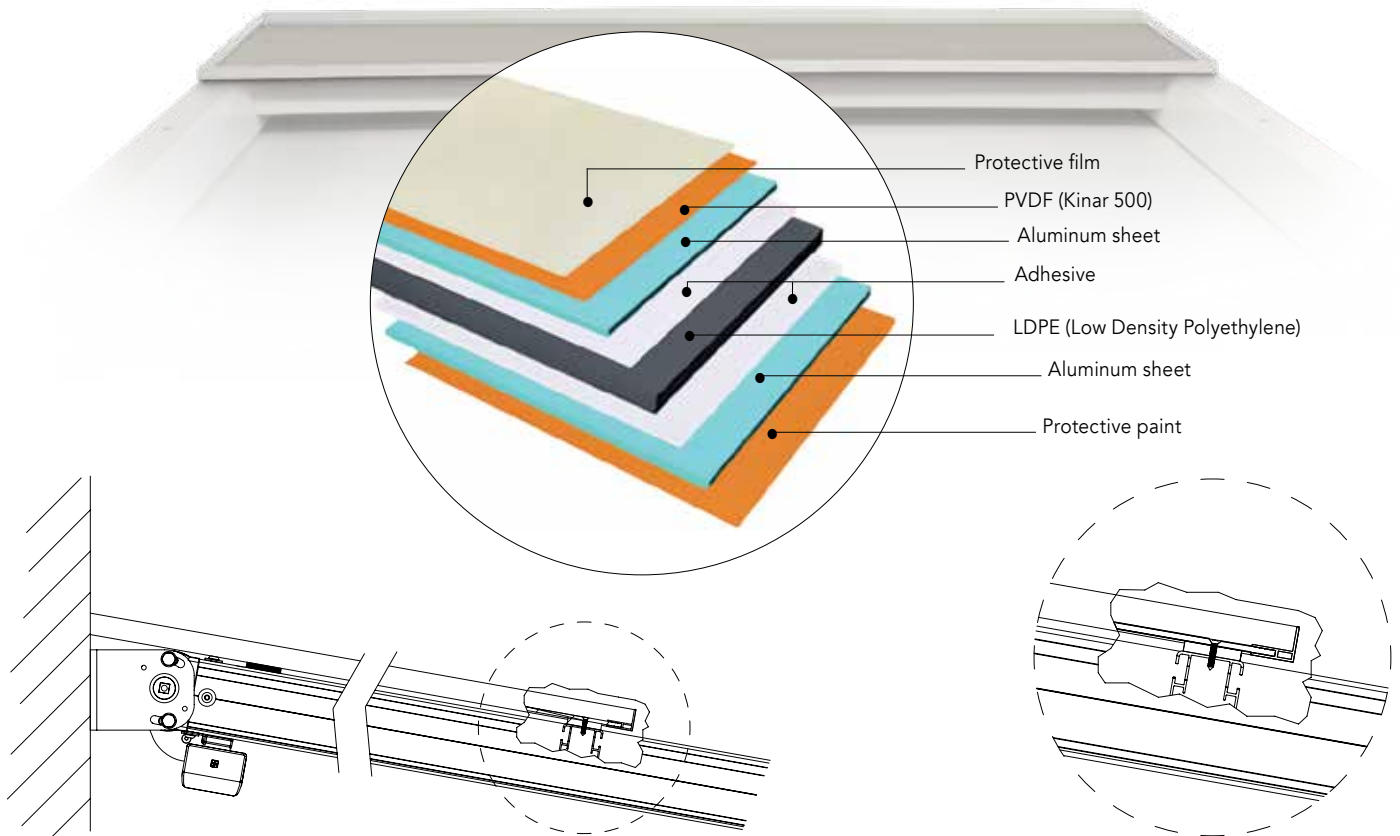


The Dimmable Spot Light option is available on Gennius A2C, A100, L1S and T1, on all sizes. These LEDs are integrated and recessed into the cross rail to provide a sleek profile and elegant finish.



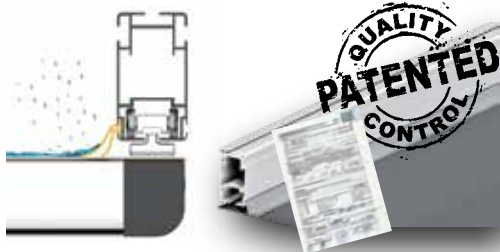
HOOD/ GASKET

The Genius hood is produced with special aluminum protective layers over inter-layered polyethylene panels that are particularly robust, lightweight, raindrop quiet, and unobtrusive to the balance of the design elements of the systems. The standard hood panels are white on the top and bottom or can be custom powder coated to match the unit framework color. A protective clear film over the aluminum is removable upon installation.



Gasket

The double fin gasket for waterproof management of the Genius systems are produced by co-extrusion technology between two materials with different characteristics - PVC and Plasticized Polyethylene.



- The PVC offers stiffness on the guide hook to seal onto to the guiderail.
- The plasticized polyethylene gives elasticity to the parts that are in contact with the fabric to avoid PVC memory effect from temperature variation.
- The patented double fin structure assures that rainwater is routed into the unit's integrated gutter and does not spill over the sides even in windy conditions.

ENGINEERING CERTIFICATION



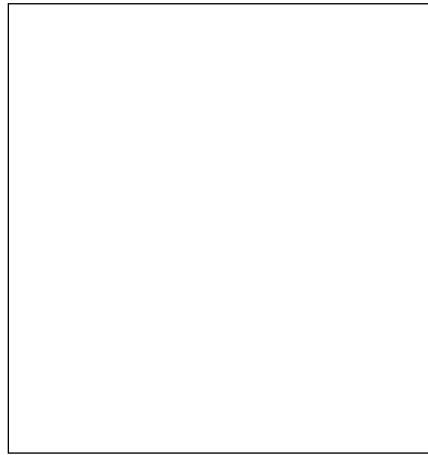
All KE Genius models have CE Certification, an assurance of quality. KE offers the industry's broadest range of pre-engineered products that meet or exceed wind and snow load ratings in all 50 states.

Engineer stamped technical evaluation reports are available for Genius A2C and L1S units per the International Building Code, 2014 Florida Building Code and ASCE 7-10 requirements.

Please see Care & Maintenance Packet for details. Note that Maintenance & Care Instructions must be followed for warranty to be valid.

The following frame colors are available on the Isola 2, A2C, A2C (Single Freestanding and A2C Double Freestanding), A100, KEDRY and T1.

FRAME COLORS



WHITE



CHARCOAL

Wood Frame Colors for L1S



DARK WALNUT

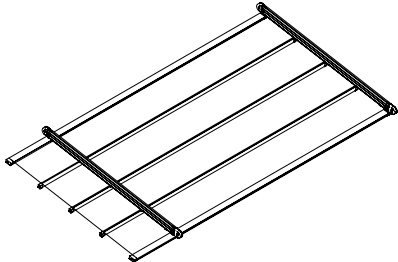


SEMI-GLOSS MAHOGANY

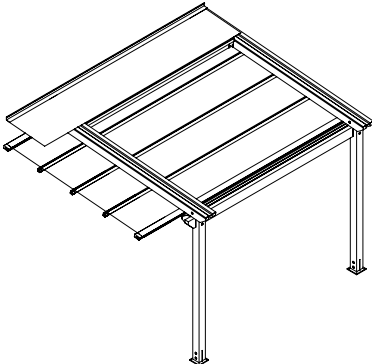
SPECIAL STRUCTURES

Non-standard structures are available. Please contact our technical department for feasibility of non-standard configurations. These are some sample configurations.

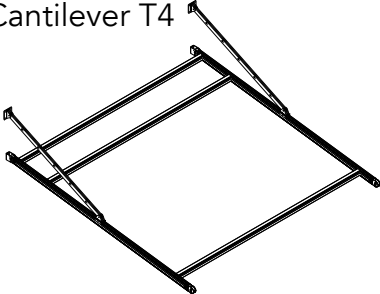
With overhang



With overhang



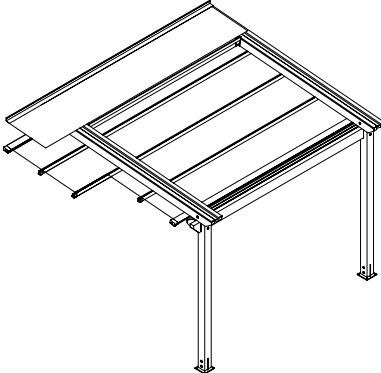
Cantilever T4



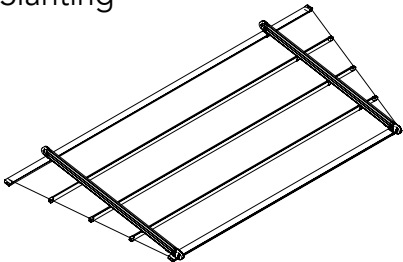
With overhang and protrusion



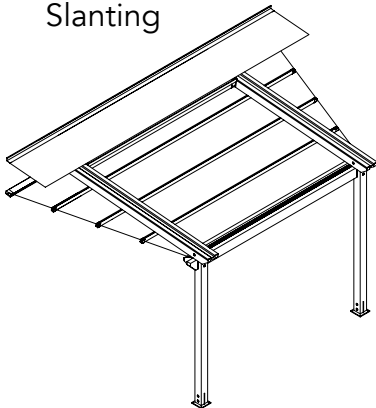
With overhang and protrusion



Slanting



Slanting



HOME AUTOMATION



Experience the full enjoyment of your KE Genius pergola with remote control and automated functionality. Wind, rain and sun sensors control the motors that can close louvers and screens and turn lights on or off, whether you're at home or away. The easy-to-use smartphone app provides convenience, luxury and peace of mind.

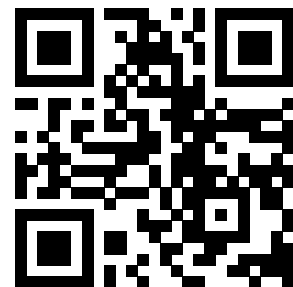
The Ondeis® WireFree RTS Rain and Sun Sensor is a solar-powered combined rain and sun sensor. Completely wireless, it uses optical rain-sensing technology to measure rainfall and sends a wireless command to close the pergola's roof or louvers when rainfall exceeds the user-selected threshold. The sun-level sensor sends a command when sunlight exceeds the user-selected threshold.



Transform your experience with Somfy motorized solutions that maximize benefits such as energy savings, privacy, comfort and convenience.



SOMFY Mylink WIFI



Find more at Somfysystems.com

Somfy myLink puts you in control, so you can operate your motorized shades, blinds, awnings and screens with your favorite mobile device, whether you're home or not.

ROOF FABRICS

FERRARI PRECONSTRAINT PROOF 502, CLASSIC BLACKOUT 602, AND SOLTIS W96

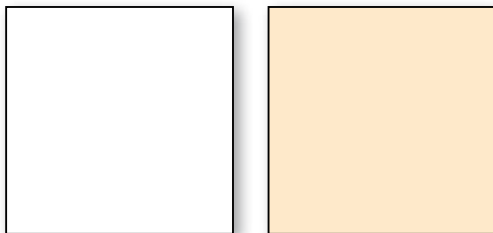
Ferrari Preconstraint 502 Proof- architectural PVC textile by Serge Ferrari - Soltis Proof 502 (previously named Preconstraint 502 Satin) is a highly durable, dimensionally stable material with a 10 year warranty.

This waterproof material protects against bad weather and UV and offers exceptional dirt and mold resistance due to its PVDF surface treatment. Available in 40 colors and with an attractive satin finish.



Flexlight Classic 602 Opaque is a fireproof and waterproof membrane with an ideal opacity-to-weight ratio. With excellent dimensional stability and UV resistance, Flexlight Classic 602 Opaque is easy to clean, and eliminates shadow lines from environmental pollution on the top side for a longer “like-new” lifespan.

Two colors available –White 602-8503 and Champagne (Ivory) 602-50020.



Soltis Proof W96 protects against UV and bad weather, while preserving the level of natural light transmitted. This translucent, waterproof fabric is ideal for pergolas and shade canopies.

<https://www.sergeferrari.com/us-en/products/soltis-range/soltis-proof-w96>





KE USA, Inc.

445 Bellvale Road
Chester, NY 10918
888-387-2765
845-610-1100

KE USA, Inc. California Division

22220 Opportunity Way, Suite 104
Riverside, CA 92518
844-387-2765

KE USA, Inc. Commercial Division

38 Pond Lane, Suite B
Middlebury, VT 05753
802-388-7309



www.keoutdoordesign.us

