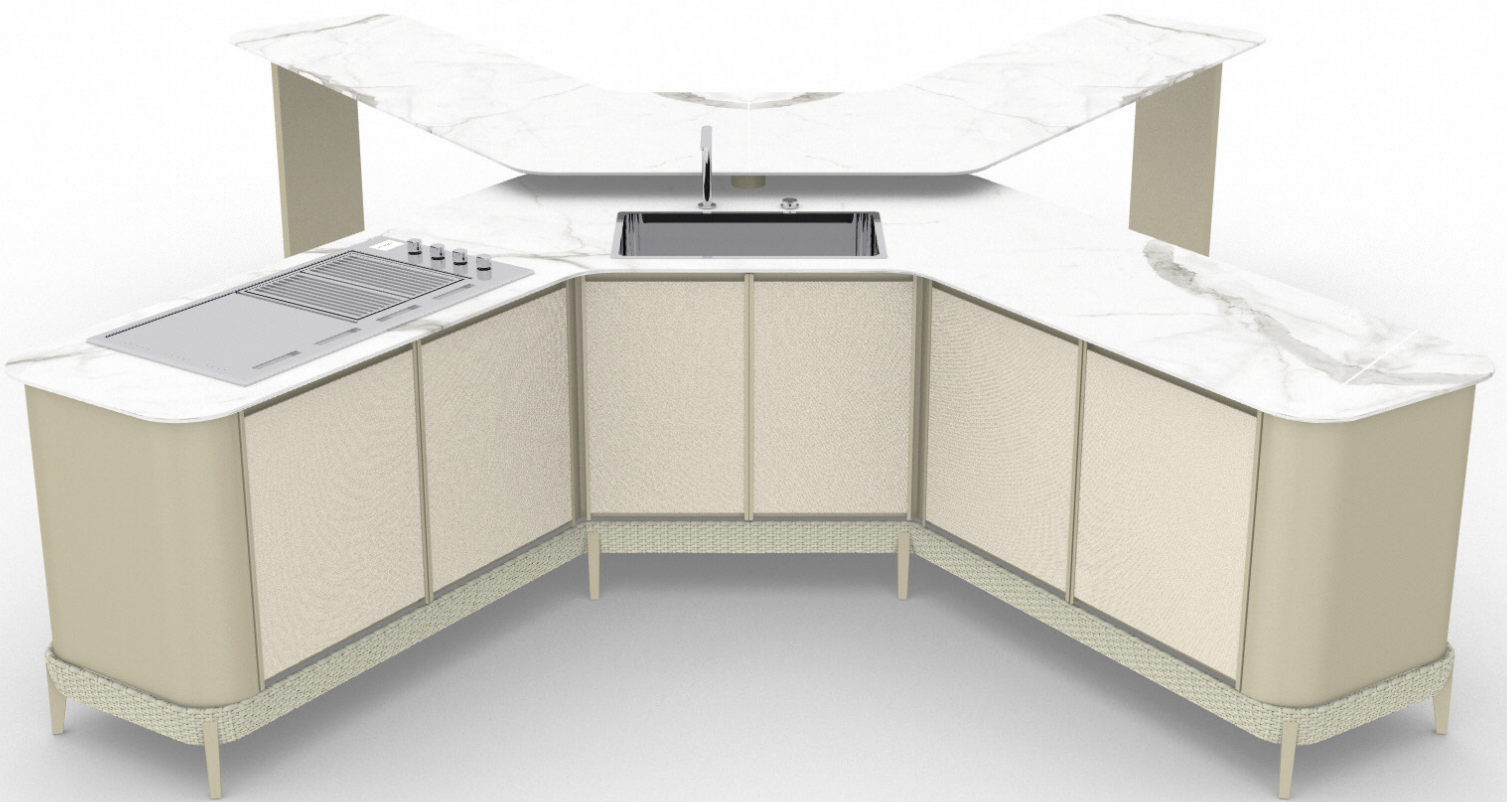




BUTTERFLY KITCHEN

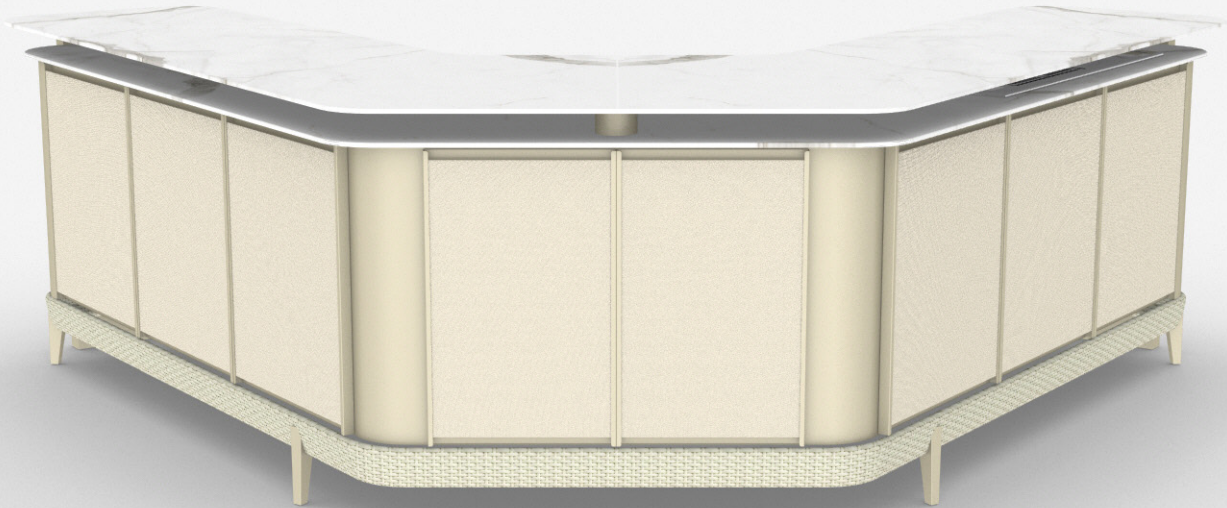




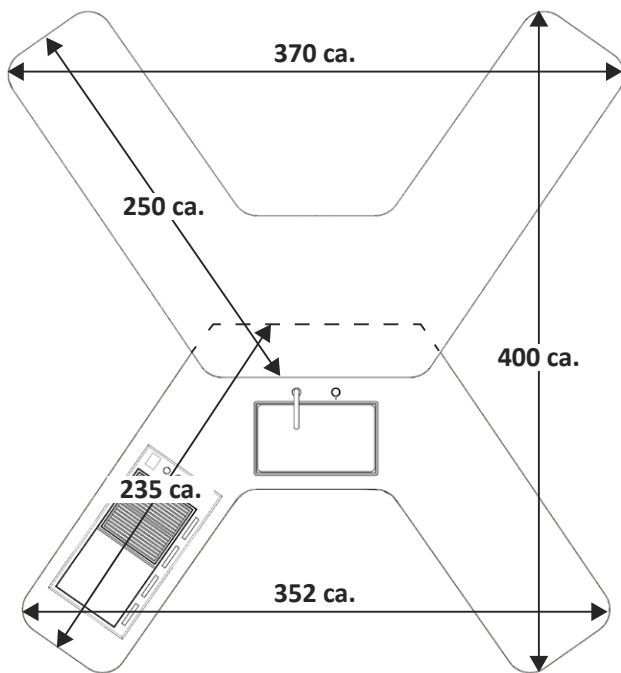
OPEN



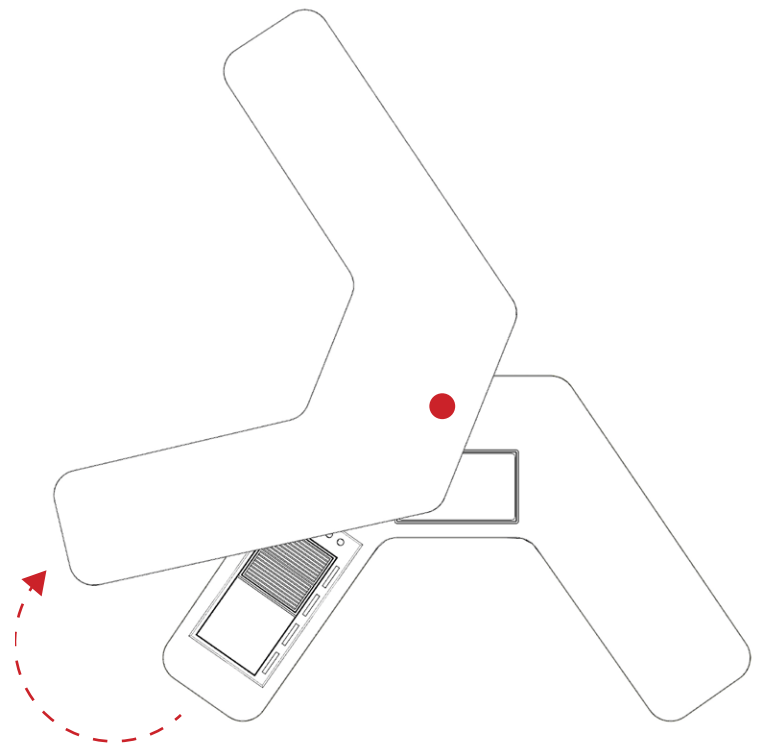
CLOSED



DIMENSIONS



SWIVEL TOP





Is a trademark licensed to

DFN
THE OUTDOOR COMPANY

DFN srl - Italy
via D. Albertario 50 - 61032 - Fano (PU)
T. 00 39 0721 1835821

e-mail: info@dfnsrl.com

www.dfnsrl.com