





*“Our products are
100% recyclable”*

A broad portfolio, A great responsibility.

Year after year we continue to expand our portfolio, and with it, our responsibility.

Today, all OUR PRODUCTS ARE 100% RECYCLABLE.

We design and manufacture more than 8,000 references, scrupulously complying with the strictest policies regarding quality control and environmental responsibility.

By controlling all production processes, we can fulfil our eco-friendly commitment while guaranteeing the highest quality and, above all, a sustainable future.

INDEX

CHAIRS AND ARMCHAIRS

SMART	4
COMO	14
BINI	22

STOOLS

WOODY	34
-------	----

ACOUSTIC PANEL

SILENTIO	58
----------	----

COAT RACK

ELASTICA	46
NUDA 01	75
KIT 30	76

WASTEPAPER BASKET

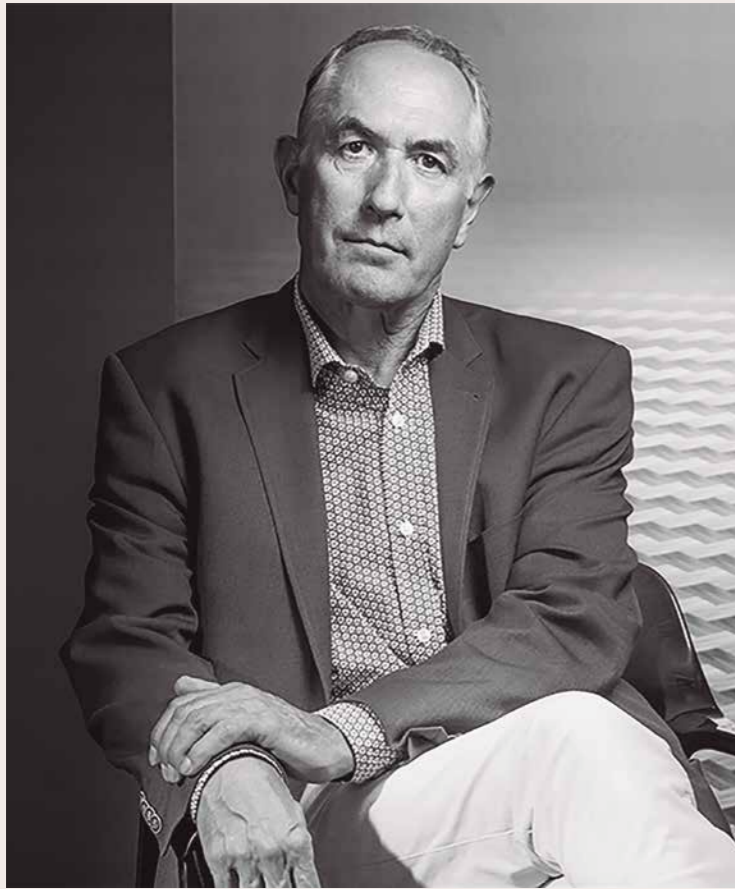
MERCURI MR-60	68
MERCURI MR-61	69
SPAM 03	70
HALL 3	71
ASH-01	72
ASH-02	73
ARTRIA-01	74

A modern dining room with white brick walls, pendant lights, and tables with chairs. The room features a white brick wall with several framed abstract paintings and pendant lights. The lower half of the wall is covered in vertical wooden slats. There are several tables with chairs, some with drinks on them. A large potted plant is on the left, and a shelf with more plants is on the right.

Smart

Designed to create a
unique user experience

Javier Cuñado



Javier Cuñado,
Engineer and Designer,
Managing Partner at
ITEMdesignworks

Javier Cuñado is an extremely curious and perfectionist professional, a restless soul that empathizes with the society's problems that can be solved through original design solutions. Javier is an outstanding inventor providing genuine products in order to satisfy people's needs, the users that he always makes "the heart" of his creative and conceptualization process.

The perfect combination of Engineering and Design have made Javier Cuñado a person committed to the creation of innovative proposals, whose objective is to generate new experiences that create emotional bonds in people and solve their needs, through creativity and technology.

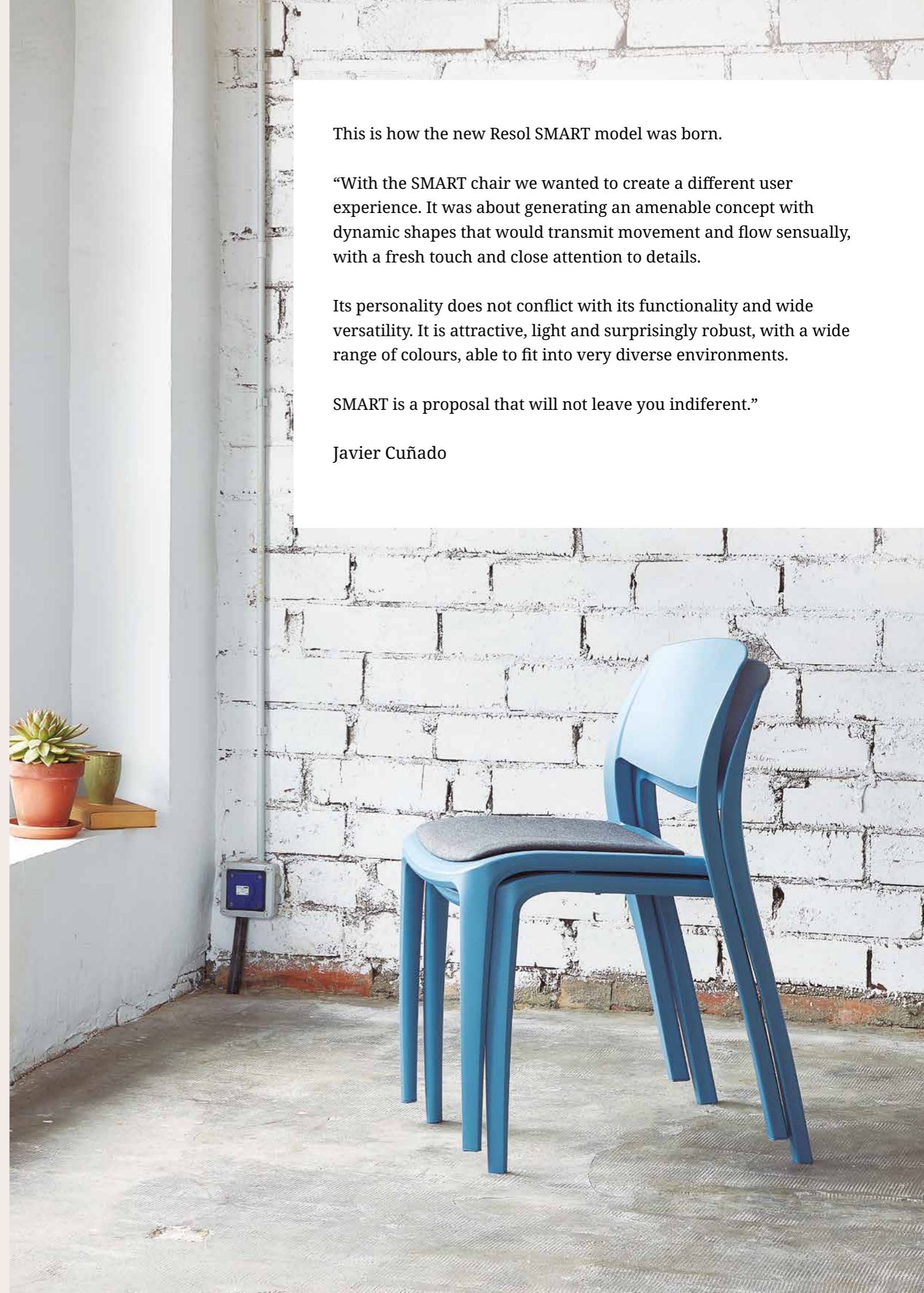
This is how the new Resol SMART model was born.

"With the SMART chair we wanted to create a different user experience. It was about generating an amenable concept with dynamic shapes that would transmit movement and flow sensually, with a fresh touch and close attention to details.

Its personality does not conflict with its functionality and wide versatility. It is attractive, light and surprisingly robust, with a wide range of colours, able to fit into very diverse environments.

SMART is a proposal that will not leave you indifferent."

Javier Cuñado





Product code

Smart Chair

COLOR SMART CHAIR	2X	4X	P26
WHITE SMART CHAIR	05364.2X	05364.4X	05364.P26
DARK GREY SMART CHAIR	05365.2X	05365.4X	05365.P26
SAND SMART CHAIR	05366.2X	05366.4X	05366.P26
RETRO BLUE SMART CHAIR	05367.2X	05367.4X	05367.P26
TERRACOTTA SMART CHAIR	05368.2X	05368.4X	05368.P26
TUSCAN SMART CHAIR	05369.2X	05369.4X	05369.P26

WHITE SMART CHAIR UPHOLSTERED	2X	4X	P26
WHITE SMART CHAIR UPHOLSTERED BLACK	86721.2X	86721.4X	86721.P26
WHITE SMART CHAIR UPHOLSTERED MINERAL BLUE	86722.2X	86722.4X	86722.P26
WHITE SMART CHAIR UPHOLSTERED MIMOSA	86723.2X	86723.4X	86723.P26
WHITE SMART CHAIR UPHOLSTERED TAUPE	86724.2X	86724.4X	86724.P26
WHITE SMART CHAIR UPHOLSTERED LINO	86725.2X	86725.4X	86725.P26
WHITE SMART CHAIR UPHOLSTERED PUMPKIN	86726.2X	86726.4X	86726.P26
WHITE SMART CHAIR UPHOLSTERED CHARCOAL CHINE	86727.2X	86727.4X	86727.P26

DARK GREY SMART CHAIR UPHOLSTERED	2X	4X	P26
DARK GREY SMART CHAIR UPHOLSTERED BLACK	86728.2X	86728.4X	86728.P26
DARK GREY SMART CHAIR UPHOLSTERED MINERAL BLUE	86729.2X	86729.4X	86729.P26
DARK GREY SMART CHAIR UPHOLSTERED MIMOSA	86730.2X	86730.4X	86730.P26
DARK GREY SMART CHAIR UPHOLSTERED TAUPE	86731.2X	86731.4X	86731.P26
DARK GREY SMART CHAIR UPHOLSTERED LINO	86732.2X	86732.4X	86732.P26
DARK GREY SMART CHAIR UPHOLSTERED PUMPKIN	86733.2X	86733.4X	86733.P26
DARK GREY SMART CHAIR UPHOLSTERED CHARCOAL CHINE	86734.2X	86734.4X	86734.P26

SAND SMART CHAIR UPHOLSTERED	2X	4X	P26
SAND SMART CHAIR UPHOLSTERED BLACK	86735.2X	86735.4X	86735.P26
SAND SMART CHAIR UPHOLSTERED TAUPE	86736.2X	86736.4X	86736.P26
SANDSMART CHAIR UPHOLSTERED LINO	86737.2X	86737.4X	86737.P26
SAND SMART CHAIR UPHOLSTERED CHARCOAL CHINE	86738.2X	86738.4X	86738.P26

RETRO BLUE SMART CHAIR UPHOLSTERED	2X	4X	P26
RETRO BLUE SMART CHAIR UPHOLSTERED BLACK	86739.2X	86739.4X	86739.P26
RETRO BLUE SMART CHAIR UPHOLSTERED TAUPE	86740.2X	86740.4X	86740.P26
RETRO BLUE SMART CHAIR UPHOLSTERED LINO	86741.2X	86741.4X	86741.P26
RETRO BLUE SMART CHAIR UPHOLSTERED CHARCOAL CHINE	86742.2X	86742.4X	86742.P26

TERRACOTA SMART CHAIR UPHOLSTERED	2X	4X	P26
TERRACOTA SMART CHAIR UPHOLSTERED BLACK	86743.2X	86743.4X	86743.P26
TERRACOTA SMART CHAIR UPHOLSTERED TAUPE	86744.2X	86744.4X	86744.P26
TERRACOTA SMART CHAIR UPHOLSTERED LINO	86745.2X	86745.4X	86745.P26
TERRACOTA SMART CHAIR UPHOLSTERED CHARCOAL CHINE	86746.2X	86746.4X	86746.P26

TUSCAN SMART CHAIR UPHOLSTERED	2X	4X	P26
TUSCAN SMART CHAIR UPHOLSTERED BLACK	86747.2X	86747.4X	86747.P26
TUSCAN SMART CHAIR UPHOLSTERED TAUPE	86748.2X	86748.4X	86748.P26
TUSCAN SMART CHAIR UPHOLSTERED CHARCOAL CHINE	86749.2X	86749.4X	86749.P26

Smart Armchair

COLOR SMART ARMCHAIR	2X	4X	P20
WHITE SMART ARMCHAIR	05370.2X	05370.4X	05370.P20
DARK GREY SMART ARMCHAIR	05371.2X	05371.4X	05371.P20
SAND SMART ARMCHAIR	05372.2X	05372.4X	05372.P20
RETRO BLUE SMART ARMCHAIR	05373.2X	05373.4X	05373.P20
TERRACOTTA SMART ARMCHAIR	05374.2X	05374.4X	05374.P20
TUSCAN SMART ARMCHAIR	05375.2X	05375.4X	05375.P20

WHITE SMART ARMCHAIR UPHOLSTERED	2X	4X	P20
WHITE SMART ARMCHAIR UPHOLSTERED BLACK	86750.2X	86750.4X	86750.P20
WHITE SMART ARMCHAIR UPHOLSTERED MINERAL BLUE	86751.2X	86751.4X	86751.P20
WHITE SMART ARMCHAIR UPHOLSTERED MIMOSA	86752.2X	86752.4X	86752.P20
WHITE SMART ARMCHAIR UPHOLSTERED TAUPE	86753.2X	86753.4X	86753.P20
WHITE SMART ARMCHAIR UPHOLSTERED LINO	86754.2X	86754.4X	86754.P20
WHITE SMART ARMCHAIR UPHOLSTERED PUMPKIN	86755.2X	86755.4X	86755.P20
WHITE SMART ARMCHAIR UPHOLSTERED CHARCOAL CHINE	86756.2X	86756.4X	86756.P20

DARK GREY SMART ARMCHAIR UPHOLSTERED	2X	4X	P20
DARK GREY SMART ARMCHAIR UPHOLSTERED BLACK	86757.2X	86757.4X	86757.P20
DARK GREY SMART ARMCHAIR UPHOLSTERED MINERAL BLUE	86758.2X	86758.4X	86758.P20
DARK GREY SMART ARMCHAIR UPHOLSTERED MIMOSA	86759.2X	86759.4X	86759.P20
DARK GREY SMART ARMCHAIR UPHOLSTERED TAUPE	86760.2X	86760.4X	86760.P20
DARK GREY SMART ARMCHAIR UPHOLSTERED LINO	86761.2X	86761.4X	86761.P20
DARK GREY SMART ARMCHAIR UPHOLSTERED PUMPKIN	86762.2X	86762.4X	86762.P20
DARK GREY SMART ARMCHAIR UPHOLSTERED CHARCOAL CHINE	86763.2X	86763.4X	86763.P20

SAND SMART ARMCHAIR UPHOLSTERED	2X	4X	P20
SAND SMART ARMCHAIR UPHOLSTERED BLACK	86764.2X	86764.4X	86764.P20
SAND SMART ARMCHAIR UPHOLSTERED TAUPE	86765.2X	86765.4X	86765.P20
SANDSMART ARMCHAIR UPHOLSTERED LINO	86766.2X	86766.4X	86766.P20
SAND SMART ARMCHAIR UPHOLSTERED CHARCOAL CHINE	86767.2X	86767.4X	86767.P20

RETRO BLUE SMART ARMCHAIR UPHOLSTERED	2X	4X	P20
RETRO BLUE SMART ARMCHAIR UPHOLSTERED BLACK	86768.2X	86768.4X	86768.P20
RETRO BLUE SMART ARMCHAIR UPHOLSTERED TAUPE	86769.2X	86769.4X	86769.P20
RETRO BLUE SMART ARMCHAIR UPHOLSTERED LINO	86770.2X	86770.4X	86770.P20
RETRO BLUE SMART ARMCHAIR UPHOLSTERED CHARCOAL CHINE	86771.2X	86771.4X	86771.P20

TERRACOTA SMART ARMCHAIR UPHOLSTERED	2X	4X	P20
TERRACOTA SMART ARMCHAIR UPHOLSTERED BLACK	86772.2X	86772.4X	86772.P20
TERRACOTA SMART ARMCHAIR UPHOLSTERED TAUPE	86773.2X	86773.4X	86773.P20
TERRACOTA SMART ARMCHAIR UPHOLSTERED LINO	86774.2X	86774.4X	86774.P20
TERRACOTA SMART ARMCHAIR UPHOLSTERED CHARCOAL CHINE	86775.2X	86775.4X	86775.P20

TUSCAN SMART ARMCHAIR UPHOLSTERED	2X	4X	P20
TUSCAN SMART ARMCHAIR UPHOLSTERED BLACK	86776.2X	86776.4X	86776.P20
TUSCAN SMART ARMCHAIR UPHOLSTERED TAUPE	86777.2X	86777.4X	86777.P20
TUSCAN SMART ARMCHAIR UPHOLSTERED CHARCOAL CHINE	86778.2X	86778.4X	86778.P20

A modern outdoor dining area with a white brick wall in the background. A sign on the wall reads "EAT & DRINK". The ceiling is supported by a red metal frame with several woven pendant lights hanging from it. Green plants are hanging from the frame. In the foreground, there are several tables and chairs. The chairs are in shades of yellow and pink. The tables are white. The floor is a light grey concrete.

EAT & DRINK

Como

With nods to structures and solutions inserted in the collective memory

Joan Gaspar



Joan Gaspar,
Industrial designer

I have learned the industrial designer profession from Lluís Porqueras. Back then, at the end of the 80s, Lluís used to have a lamp editor located in Poble Nou, in pre-Olympic Barcelona, while this neighbourhood was still an incubator for small and large companies and small handcrafted workshops; a very valuable network for a capital as Barcelona, that also aimed to be a design capital. From this period are dated my first products, lightning mostly, that seen from the distance still make me feel proud and reconfirms that I had the best teacher.

Today I'm a mature professional, that often think that my projects still keep the spirit of those first years, given the fact that I'm still more interested in talking about how I did or solved things than the final result; and not because the final result is not of my interest, in fact it's what's real important, but because the final result is obvious and it has to allow to be judged, and the „Invisible” details only can be explained by the author through his knowledge and passion.

COMO is a reliable, robust and comfortable chair, elegant looking, of sharp ergonomics and simple, with no formal ostentation beyond the research of the apparent simplicity.

Obtained through a formal and conceptual simplification exercise, with nods to structures and solutions inserted in the collective memory.





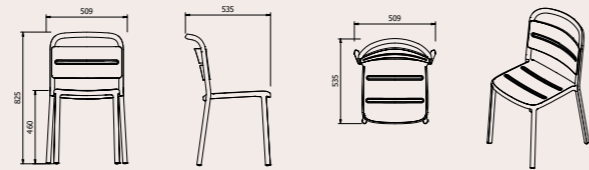
Como Chair

Chair for indoor and outdoor use. Manufactured in polypropylene with fibreglass using gas-injected moulding technology. UV protection.

Weight 3,65 kg

Apilable
Stackable
Empilable
12 u.

Mesures chair



Packaging/Box – Chair

STD output	Volume Pack (m³)	Units Container 20'	Units Container 40'	Units Container 40HC	Units Truck 70m³	Units Truck 100m³
2X	0,358	70	292	352	420	504
4X	0,439	288	584	728	840	928
P32	1,250	768	1536	1536	1728	1792



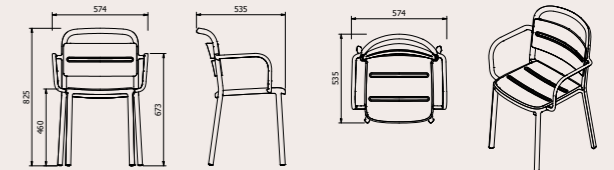
Como Armchair

Silla con brazos para uso interior y exterior. Fabricada en polipropileno con fibra de vidrio mediante tecnología de moldeo asistida por gas. Protección UV.

Peso 4,01 kg

Apilable
Stackable
10 u. Empilable

Cotas silla sin tapizar



Packaging/Box – Armchair

STD output	Volume Pack (m³)	Units Container 20'	Units Container 40'	Units Container 40HC	Units Truck 70m³	Units Truck 100m³
2X	0,358	70	292	352	420	504
4X	0,439	252	516	600	696	784
P24	1,250	576	1152	1152	1296	1344

Colors

	Marfil Ivory Ivoire	RAL 1013
	Gris Oscuro Dark Grey Gris Foncé	Pantone 425C RAL 7024
	Gris Verdoso Green-grey Gris Vert	Pantone 7538C RAL 7033
	Arena Sand Sable	Pantone 7530C RAL 1019
	Terra cota Terracota Terracotta	Pantone 16-1526 TPX RAL 3014
	Toscano Tuscan Toscane	Pantone 7556 C RAL 085 60 60

Product code

Como Chair

COLOR COMO CHAIR	2X	4X	P31
IVORY COMO CHAIR	05343.2X	05343.4X	05343.P31
DARK GREY COMO CHAIR	05344.2X	05344.4X	05344.P31
GREEN GREY COMO CHAIR	05345.2X	05345.4X	05345.P31
SAND COMO CHAIR	05346.2X	05346.4X	05346.P31
TERRACOTA COMO CHAIR	05347.2X	05347.4X	05347.P31
TUSCAN COMO CHAIR	05348.2X	05348.4X	05348.P31

Como Armchair

COLOR COMO ARMCHAIR	2X	4X	P24
IVORY COMO ARMCHAIR	05349.2X	05349.4X	05349.P24
DARK GREY COMO ARMCHAIR	05350.2X	05350.4X	05350.P24
GREEN GREY COMO ARMCHAIR	05351.2X	05351.4X	05351.P24
SAND COMO ARMCHAIR	05352.2X	05352.4X	05352.P24
TERRACOTA COMO ARMCHAIR	05353.2X	05353.4X	05353.P24
TUSCAN COMO ARMCHAIR	05354.2X	05354.4X	05354.P24





Bini

With nods to structures and solutions inserted in the collective memory

Joan Gaspar



Joan Gaspar,
Industrial designer

I have learned the industrial designer profession from Lluís Porqueras. Back then, at the end of the 80s, Lluís used to have a lamp editor located in Poble Nou, in pre-Olympic Barcelona, while this neighbourhood was still an incubator for small and large companies and small handcrafted workshops; a very valuable network for a capital as Barcelona, that also aimed to be a design capital. From this period are dated my first products, lightning mostly, that seen from the distance still make me feel proud and reconfirms that I had the best teacher.

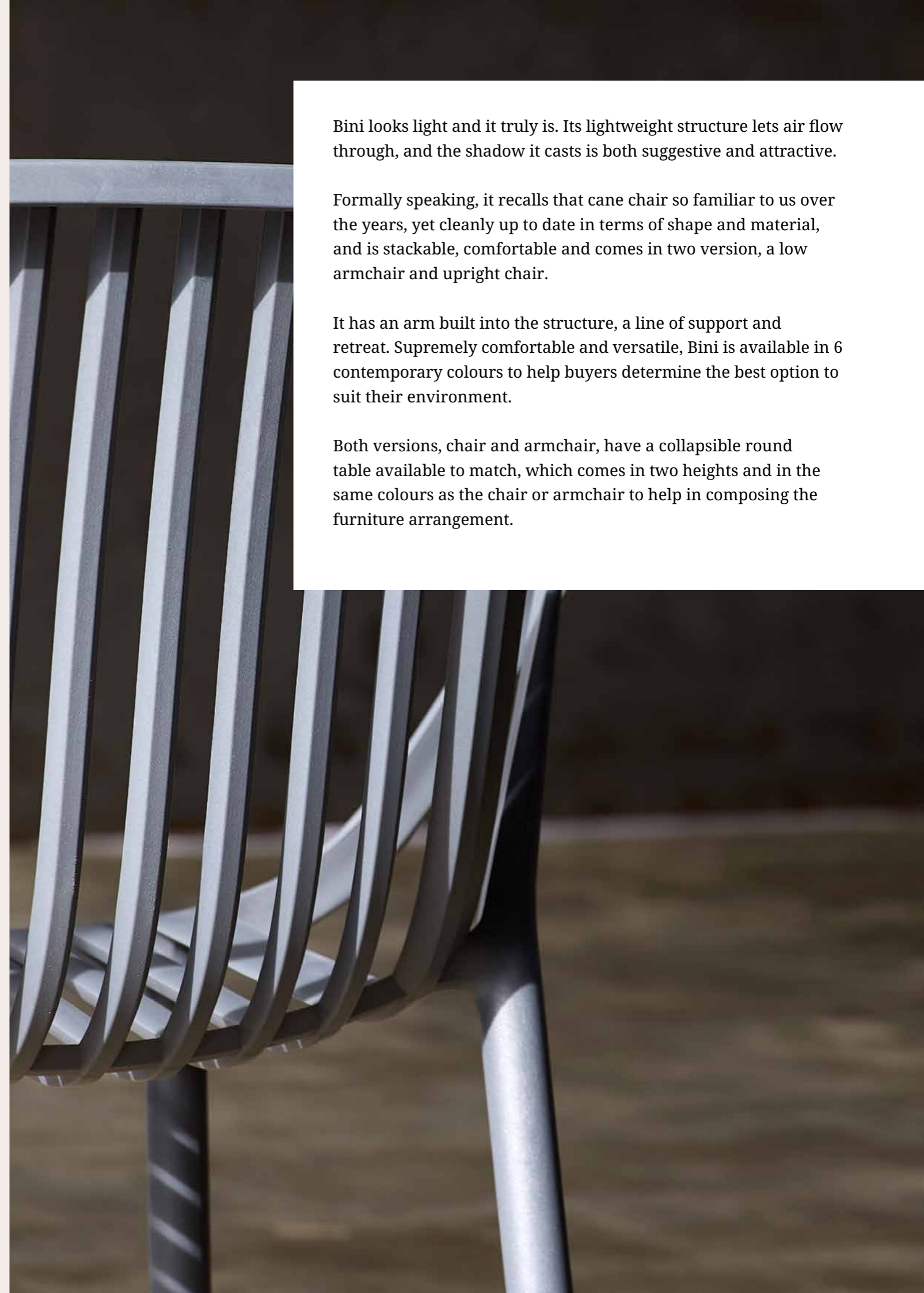
Today I'm a mature professional, that often think that my projects still keep the spirit of those first years, given the fact that I'm still more interested in talking about how I did or solved things than the final result; and not because the final result is not of my interest, in fact it's what's real important, but because the final result is obvious and it has to allow to be judged, and the „Invisible” details only can be explained by the author through his knowledge and passion.

Bini looks light and it truly is. Its lightweight structure lets air flow through, and the shadow it casts is both suggestive and attractive.

Formally speaking, it recalls that cane chair so familiar to us over the years, yet cleanly up to date in terms of shape and material, and is stackable, comfortable and comes in two version, a low armchair and upright chair.

It has an arm built into the structure, a line of support and retreat. Supremely comfortable and versatile, Bini is available in 6 contemporary colours to help buyers determine the best option to suit their environment.

Both versions, chair and armchair, have a collapsible round table available to match, which comes in two heights and in the same colours as the chair or armchair to help in composing the furniture arrangement.








Silla Bini

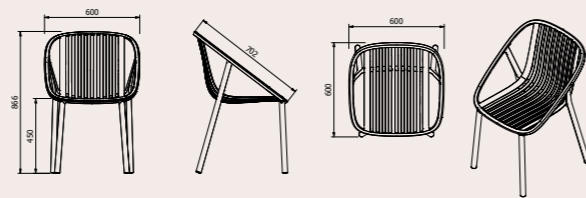
Bini chair for indoor and outdoor use. Manufactured in polypropylene with fiberglass, with UV protection.

Weight 4,825 kg

Dimensions: W60 x L60 x H86,6 cm / Hs45 cm

 Apilable
 Stackable
 9 u. Empilable

Mesures chair



Packaging/Box - Bini Chair

STD output	Volume Pack (m³)	Units Container 20'	Units Container 40'	Units Container 40HC	Units Truck 70m³	Units Truck 100m³
2X	0,358	134	316	362	480	536
4X	0,439	256	524	572	800	800
P24	1,233	576	1152	1152	1296	1344




Bini Lounge arm-chair

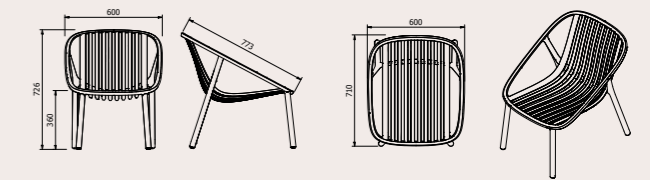
Bini Lounge armchair for indoor and outdoor use. Manufactured in polypropylene with fiberglass, with UV protection.

Weight 4,9 kg

Dimensions: W60 x L71 x H72,6 x cm / Hs36 cm

 Apilable
 Stackable
 11 u. Empilable

Mesures armchair



Packaging/Box - Bini Lounge Armchair

STD output	Volume Pack (m³)	Units Container 20'	Units Container 40'	Units Container 40HC	Units Truck 70m³	Units Truck 100m³
2X	0,384	100	220	330	408	414
4X	0,384	200	440	660	816	828
P22	1,253	396	880	880	1012	1012

Colors

	Gris Oscuro Dark Grey Gris Foncé	Pantone 425C	RAL 7024
	Gris Verdoso Green-grey Gris Vert	Pantone 7538C	RAL 7033
	Marfil Ivory Ivoire		RAL 1013
	Terra cota Terracota Terracotta	Pantone 16-1526 TPX	RAL 3014
	Toscana Tuscan Toscane	Pantone 7556 C	RAL 085 60 60
	Arena Sand Sable	Pantone 7530C	RAL 1019

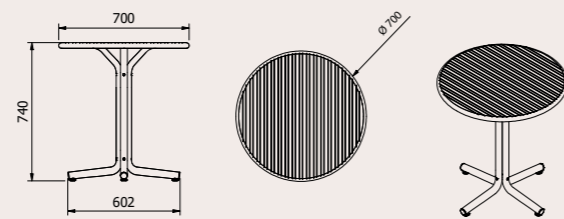
Bini Table

Bini table for indoor and outdoor use. Manufactured in polypropylene with fiberglass, with UV protection.

Weight 7,34 kg

Dimensions: Ø70 x H74 / Hb71,1 cm

Mesures table



Embalaje / caja - Mesa Bini

STD output	Volume Pack (m³)	Units Container 20'	Units Container 40'	Units Container 40HC	Units Truck 70m³	Units Truck 100m³
1X	0,062	450	912	1056	1254	1360

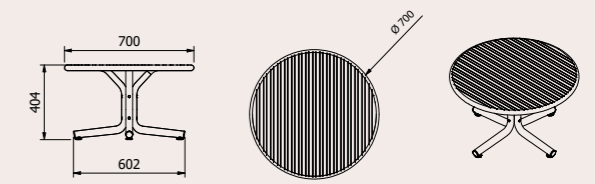
Bini Lounge table

Bini Lounge table for indoor and outdoor use. Manufactured in polypropylene with fiberglass, with UV protection.

Weight 5,5 kg

Dimensions: Ø70 x H40,4 / Hb37,4 cm

Mesures lounge table



Packaging/Box - Bini Lounge Table

STD output	Volume Pack (m³)	Units Container 20'	Units Container 40'	Units Container 40HC	Units Truck 70m³	Units Truck 100m³
1X	0,062	450	912	1056	1254	1360

Colors

	Gris Oscuro Dark Grey Gris Foncé	Pantone 425C	RAL 7024
	Gris Verdoso Green-grey Gris Vert	Pantone 7538C	RAL 7033
	Marfil Ivory Ivoire		RAL 1013
	Terra cota Terracota Terracotta	Pantone 16-1526 TPX	RAL 3014
	Toscana Tuscan Toscane	Pantone 7556 C	RAL 085 60 60
	Arena Sand Sable	Pantone 7530C	RAL 1019

Product code

Bini Chair

BINI CHAIR COLOR	2X	4X	P24
BINI CHAIR DARK GREY	05376.2X	05376.4X	05376.P24
BINI CHAIR GREEN GREY	05377.2X	05377.4X	05377.P24
BINI CHAIR IVORY	05378.2X	05378.4X	05378.P24
BINI CHAIR TERRACOTA	05379.2X	05379.4X	05379.P24
BINI CHAIR TUSCAN	05380.2X	05380.4X	05380.P24
BINI CHAIR SAND	05381.2X	05381.4X	05381.P24

Bini Lounge Armchair

BINI LOUNGE ARMCHAIR COLOR	2X	4X	P22
BINI LOUNGE ARMCHAIR DARK GREY	05382.2X	05382.4X	05382.P22
BINI LOUNGE ARMCHAIR GREEN GREY	05383.2X	05383.4X	05383.P22
BINI LOUNGE ARMCHAIR IVORY	05384.2X	05384.4X	05384.P22
BINI LOUNGE ARMCHAIR TERRACOTA	05385.2X	05385.4X	05385.P22
BINI LOUNGE ARMCHAIR TUSCAN	05386.2X	05386.4X	05386.P22
BINI LOUNGE ARMCHAIR SAND	05387.2X	05387.4X	05387.P22

Bini Table

BINI TABLE COLOR	1X
BINI TABLE DARK GREY	05392.1X
BINI TABLE GREEN GREY	05393.1X
BINI TABLE IVORY	05394.1X
BINI TABLE TERRACOTA	05395.1X
BINI TABLE TUSCAN	05396.1X
BINI TABLE SAND	05397.1X

Bini Lounge Table

BINI LOUNGE TABLE COLOR	1X
BINI LOUNGE TABLE DARK GREY	05398.1X
BINI LOUNGE TABLE GREEN GREY	05399.1X
BINI LOUNGE TABLE IVORY	05400.1X
BINI LOUNGE TABLE TERRACOTA	05401.1X
BINI LOUNGE TABLE TUSCAN	05402.1X
BINI LOUNGE TABLE SAND	05403.1X



A modern dining area featuring wooden stools and tables. The room has large windows overlooking a city street, a patterned wall with a geometric design, and several pendant lights. A semi-transparent green box is overlaid on the right side of the image, containing the text 'Woody Stool' and 'A timeless long-lasting image'.

Woody Stool

A timeless long-lasting image

Josep Llusçà



Josep Llusçà
Industrial designer

Industrial designer by Eina school in Barcelona, he was a teacher of its Product Design Department and member of the Governing Board.

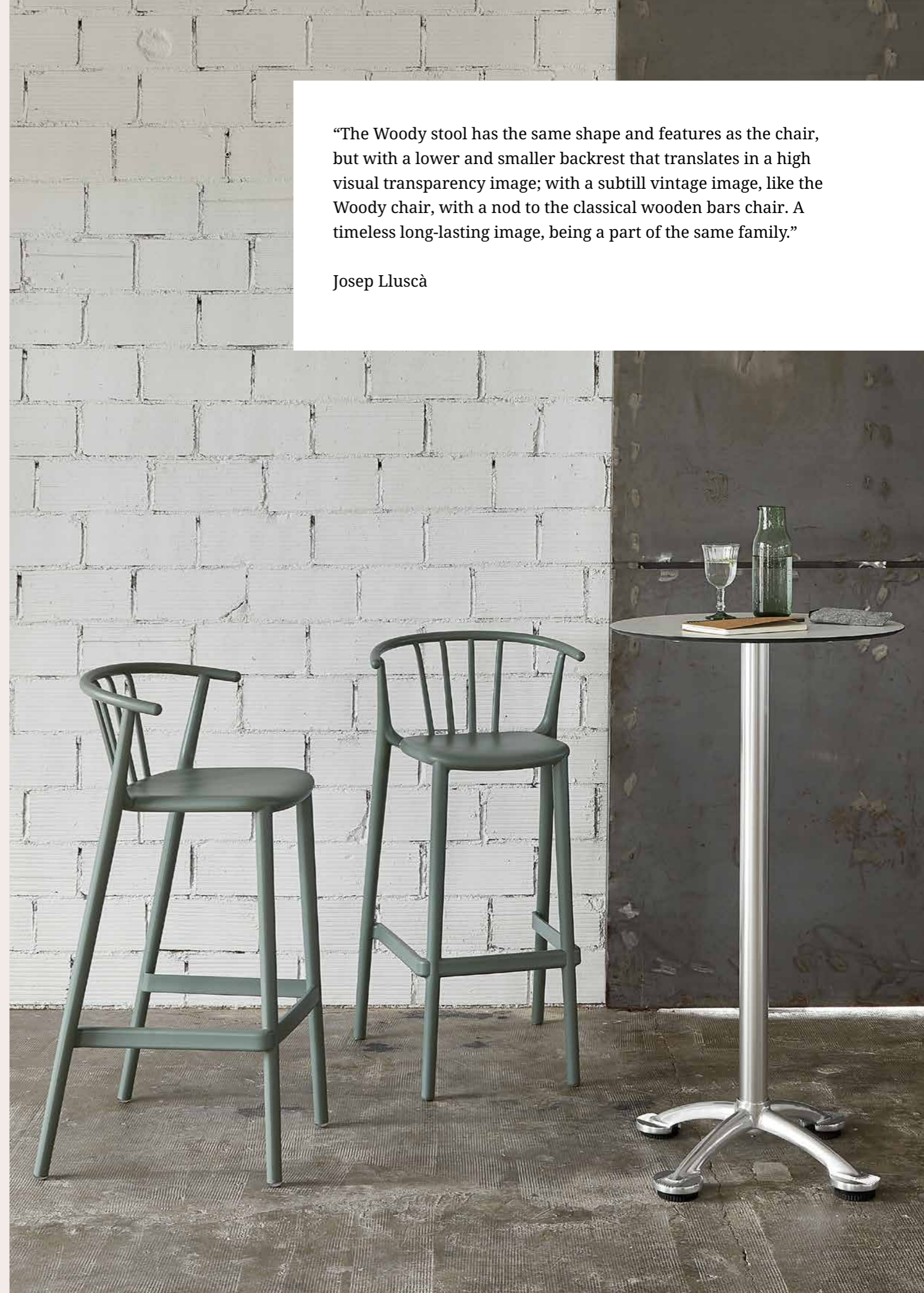
Since 1972 he has been collaborating with prestigious International companies. The diversification of his projects gave him the chance to collaborate in very diverse areas, such as: lighting, furniture, packaging, home appliances, applied electronics, etc.

He gave seminars and conferences in International Universities, such as the Design Museum in London, the Dutch Form Foundation in Amsterdam, in ESADE and IESE in Barcelona, etc

His projects have been studied and reviewed by numerous specialized publications, books and monographs, are permanent collections in design museums and have been included in numerous international expositions.

“The Woody stool has the same shape and features as the chair, but with a lower and smaller backrest that translates in a high visual transparency image; with a subtil vintage image, like the Woody chair, with a nod to the classical wooden bars chair. A timeless long-lasting image, being a part of the same family.”

Josep Llusçà





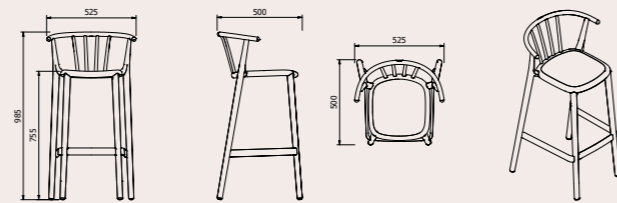
Woody High stool

Stool for indoor and outdoor use. Made of polypropylene with fiberglass. UV protection.

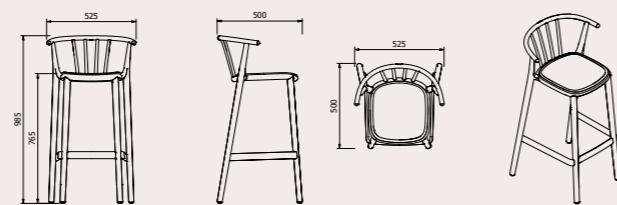
Weight 5,75 kg

Apilable
Stackable
6 u. Empilable

Mesures high stool without upholstery



Mesures upholstered high stool



Packaging/Box - High stool without upholstery

STD output	Volume Pack (m³)	Units Container 20'	Units Container 40'	Units Container 40HC	Units Truck 70m³	Units Truck 100m³
2X	0,356	176	352	352	440	520
4X	0,431	284	592	616	768	848
P22	1,250	528	1056	1056	1166	1232

Packaging/Box - High stool with upholstery

STD output	Volume Pack (m³)	Units Container 20'	Units Container 40'	Units Container 40HC	Units Truck 70m³	Units Truck 100m³
2X	0,356	176	352	352	440	520
4X	0,431	284	592	616	768	848

Colors

	Rojo Red Rouge	Pantone 485C	
	Marfil Ivory Ivoire		RAL 1013
	Negro Black Noire		RAL 9005
	Chocolate Chocolate Chocolat	Pantone Warm Gray 11C	RAL 7006
	Azul Retro Retro Blue Bleu Rétro	Pantone 7697C	
	Gris Verdoso Green-grey Gris Vert	Pantone 7538C	RAL 7033
	Arena Sand Sable	NCS S 5010-Y10R	RAL 1019
	Gris Oscuro Dark Grey Gris Foncé	Pantone 425C	RAL 7024

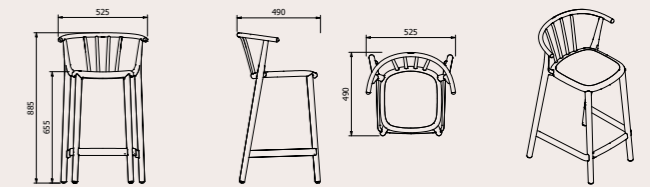
Woody Medium stool

Taburete para uso interior y exterior. Fabricado en polipropileno con fibra de vidrio. Protección UV.

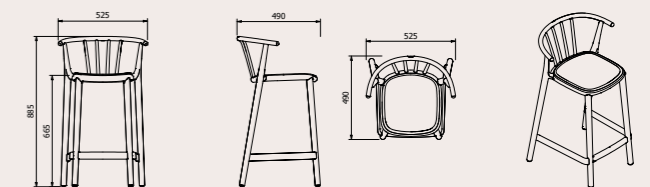
Peso 5,41 kg

Apilable
Stackable
6 u. Empilable

Cotas taburete alto sin tapizar



Cotas taburete alto tapizado



Packaging/Box - Medium stool without upholstery

STD output	Volume Pack (m³)	Units Container 20'	Units Container 40'	Units Container 40HC	Units Truck 70m³	Units Truck 100m³
2X	0,356	176	352	352	440	520
4X	0,431	284	592	616	768	848
P24	1,250	576	1152	1152	1272	1344

Packaging/Box - Upholstery Medium stool

STD output	Volume Pack (m³)	Units Container 20'	Units Container 40'	Units Container 40HC	Units Truck 70m³	Units Truck 100m³
2X	0,356	176	352	352	440	520
4X	0,356	284	592	616	768	848

Upholstery

Quick dry foam.
Upholstery suitable for indoor and outdoor.

	Red	Ivory	Chocolate	Retro Blue	Green Grey	Sand	Dark Grey
Taupe Taupe Taupe		●	●		●	●	
Lino Lino Lino	●	●	●	●	●	●	●
Calabaza Pumpkin Citrouille		●	●			●	●
Carbón Charcoal Chine Charbon	●			●			●

Product code

Woody High stool

WOODY HIGH STOOL COLOR	2X	4X	P22
WOODY HIGH STOOL RED	05443.2X	05443.4X	05443.P22
WOODY HIGH STOOL IVORY	05444.2X	05444.4X	05444.P22
WOODY HIGH STOOL BLACK	05445.2X	05445.4X	05445.P22
WOODY HIGH STOOL CHOCOLATE	05446.2X	05446.4X	05446.P22
WOODY HIGH STOOL RETRO BLUE	05447.2X	05447.4X	05447.P22
WOODY HIGH STOOL GREEN GREY	05448.2X	05448.4X	05448.P22
WOODY HIGH STOOL SAND	05449.2X	05449.4X	05449.P22
WOODY HIGH STOOL DRAK GREY	05450.2X	05450.4X	05450.P22

WOODY HIGH STOOL RED UPHOLSTERED	2X	4X	
WOODY HIGH STOOL RED UPHOLSTERED LINO	86779.2X	86779.4X	
WOODY HIGH STOOL RED UPHOLSTERED CHARCOAL CHINE	86780.2X	86780.4X	

WOODY HIGH STOOL IVORY UPHOLSTERED	2X	4X	
WOODY HIGH STOOL IVORY UPHOLSTERED PUMPKIN	86781.2X	86781.4X	
WOODY HIGH STOOL IVORY UPHOLSTERED LINO	86782.2X	86782.4X	
WOODY HIGH STOOL IVORY UPHOLSTERED TAUPE	86783.2X	86783.4X	

WOODY HIGH STOOL CHOCOLATE UPHOLSTERED	2X	4X	
WOODY HIGH STOOL CHOCOLATE UPHOLSTERED PUMPKIN	86784.2X	86784.4X	
WOODY HIGH STOOL CHOCOLATE UPHOLSTERED LINO	86785.2X	86785.4X	
WOODY HIGH STOOL CHOCOLATE UPHOLSTERED TAUPE	86786.2X	86786.4X	

WOODY HIGH STOOL RETRO BLUE UPHOLSTERED	2X	4X	
WOODY HIGH STOOL RETRO BLUE UPHOLSTERED LINO	86787.2X	86787.4X	
WOODY HIGH STOOL RETRO BLUE UPHOLSTERED CHARCOAL CHINE	86788.2X	86788.4X	

WOODY HIGH STOOL GREEN GREY UPHOLSTERED	2X	4X	
WOODY HIGH STOOL GREEN GREY UPHOLSTERED LINO	86789.2X	86789.4X	
WOODY HIGH STOOL GREEN GREY UPHOLSTERED TAUPE	86790.2X	86790.4X	

WOODY HIGH STOOL SAND UPHOLSTERED	2X	4X	
WOODY HIGH STOOL SAND UPHOLSTERED PUMPKIN	86791.2X	86791.4X	
WOODY HIGH STOOL SAND UPHOLSTERED LINO	86792.2X	86792.4X	
WOODY HIGH STOOL SAND UPHOLSTERED TAUPE	86793.2X	86793.4X	

WOODY HIGH STOOL DARK GREY UPHOLSTERED	2X	4X	
WOODY HIGH STOOL DRAK GREY UPHOLSTERED PUMPKIN	86794.2X	86794.4X	
WOODY HIGH STOOL DRAK GREY UPHOLSTERED LINO	86795.2X	86795.4X	
WOODY HIGH STOOL DRAK GREY UPHOLSTERED CHARCOAL CHINE	86796.2X	86796.4X	

Woody Medium stool

WOODY MEDIUM STOOL COLOR	2X	4X	P22
WOODY MEDIUM STOOL RED	05451.2X	05451.4X	05451.P24
WOODY MEDIUM STOOL IVORY	05452.2X	05452.4X	05452.P24
WOODY MEDIUM STOOL BLACK	05453.2X	05453.4X	05453.P24
WOODY MEDIUM STOOL CHOCOLATE	05454.2X	05454.4X	05454.P24
WOODY MEDIUM STOOL RETRO BLUE	05455.2X	05455.4X	05455.P24
WOODY MEDIUM STOOL GREEN GREY	05456.2X	05456.4X	05456.P24
WOODY MEDIUM STOOL SAND	05457.2X	05457.4X	05457.P24
WOODY MEDIUM STOOL DRAK GREY	05458.2X	05458.4X	05458.P24

WOODY MEDIUM STOOL RED UPHOLSTERED	2X	4X	
WOODY MEDIUM STOOL RED UPHOLSTERED LINO	86797.2X	86797.4X	
WOODY MEDIUM STOOL RED UPHOLSTERED CHARCOAL CHINE	86798.2X	86798.4X	

WOODY MEDIUM STOOL IVORY UPHOLSTERED	2X	4X	
WOODY MEDIUM STOOL IVORY UPHOLSTERED PUMPKIN	86799.2X	86799.4X	
WOODY MEDIUM STOOL IVORY UPHOLSTERED LINO	86800.2X	86800.4X	
WOODY MEDIUM STOOL IVORY UPHOLSTERED TAUPE	86801.2X	86801.4X	

WOODY MEDIUM STOOL CHOCOLATE UPHOLSTERED	2X	4X	
WOODY MEDIUM STOOL CHOCOLATE UPHOLSTERED PUMPKIN	86802.2X	86802.4X	
WOODY MEDIUM STOOL CHOCOLATE UPHOLSTERED LINO	86803.2X	86803.4X	
WOODY MEDIUM STOOL CHOCOLATE UPHOLSTERED TAUPE	86804.2X	86804.4X	

WOODY MEDIUM STOOL RETRO BLUE UPHOLSTERED	2X	4X	
WOODY MEDIUM STOOL RETRO BLUE UPHOLSTERED LINO	86805.2X	86805.4X	
WOODY MEDIUM STOOL RETRO BLUE UPHOLSTERED CHARCOAL CHINE	86806.2X	86806.4X	

WOODY MEDIUM STOOL GREEN GREY UPHOLSTERED	2X	4X	
WOODY MEDIUM STOOL GREEN GREY UPHOLSTERED LINO	86807.2X	86807.4X	
WOODY MEDIUM STOOL GREEN GREY UPHOLSTERED TAUPE	86808.2X	86808.4X	

WOODY MEDIUM STOOL SAND UPHOLSTERED	2X	4X	
WOODY MEDIUM STOOL SAND UPHOLSTERED PUMPKIN	86809.2X	86809.4X	
WOODY MEDIUM STOOL SAND UPHOLSTERED LINO	86810.2X	86810.4X	
WOODY MEDIUM STOOL SAND UPHOLSTERED TAUPE	86811.2X	86811.4X	

WOODY MEDIUM STOOL DARK GREY UPHOLSTERED	2X	4X	
WOODY MEDIUM STOOL DRAK GREY UPHOLSTERED PUMPKIN	86794.2X	86794.4X	
WOODY MEDIUM STOOL DRAK GREY UPHOLSTERED LINO	86795.2X	86795.4X	
WOODY MEDIUM STOOL DRAK GREY UPHOLSTERED CHARCOAL CHINE	86796.2X	86796.4X	



 **VILAGRASA**
Collection

Elastica

2
floor



Nahtrang Studio



Daniel Vila & Ester Pujol,
Product designers,
Founders of Nahtrang



**Restaurant & Bar
Product Design Awards**
Winner



Daniel Vila (Sant Quirze Safaja, 1975) and Ester Pujol (Sabadell, 1977), industrial designers from Escola Massana (Barcelona). Daniel Vila previously realized technical drawing. After graduating in 2000 as Industrial designer, participating in numerous seminars such as Massana-Assidomän Frövi of packaging and a postgraduate in Design Management at ICT (Institut Català de Tecnologia), he won the ADI 2000 medal for the "Carro de Vela" project.

Between 2002 and 2003 Ester Pujol realizes a postgraduate in Interior Design at ETSAV. In 2004 they founded Nahtrang Disseny putting together their wide professional experiences and personal knowledge. Between 2007 - 2008 they have occasionally collaborated in sessions on Joining the labour world in Escola Massana and sporadically as guest teachers at the design school Eina.

During 2010 they gave classes on urban furniture at Elisava school, in Barcelona. Currently they are teachers of Urban Furniture at Eina School, in Barcelona. Their products appeared in numerous specialized publications such as Experiment, Creativity, Casa Viva, Interior Design, Incubator Berlin, ON Design, among others.

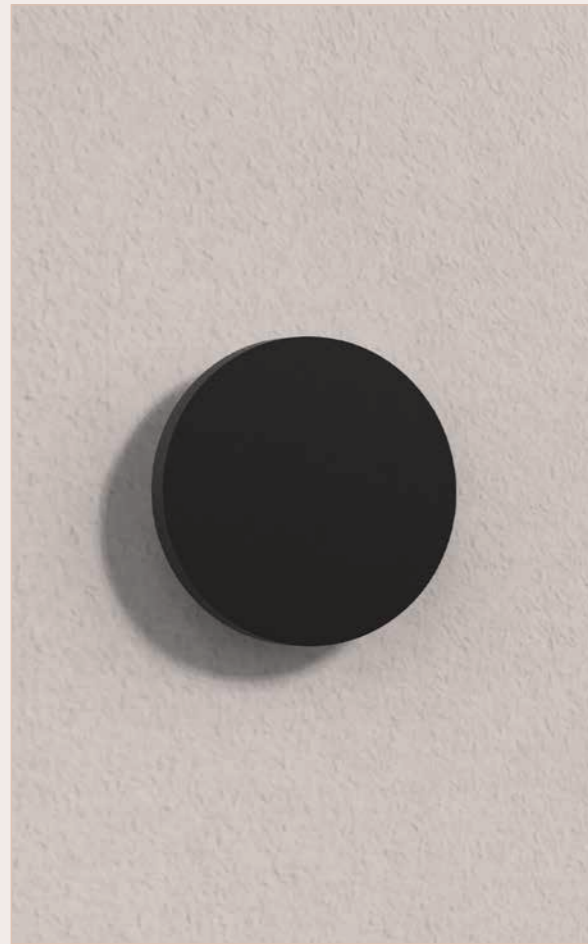
In 2012 they won one of the Delta Silver awards for the Pile beacon. Currently they develop projects for national and international companies.

The visual game, the unreal elasticity and the dynamism are attracted to break the rigidity of the office spaces. The circles density and the almost immateriality of the structure are the starting-point.

Highlighting the natural capacity of these geometric elements to establish connexions between them, the ELASTICA hangers collection is structured based on fluid dialogue between dots and lines. These objects interact in such a way that the lines acquire a visual plastic texture and almost symbiotic, creating a unique and individual collection composed by wall and standing hangers.

Manufactured in Steel, this collection allows us to create sinuous and organic shapes, generating a parallelism between technology and nature. The pieces available in black or wood finishing, allow this collection to adapt and bring warmth and elegance to any space.





Small wall hook

Small wall hook of painted steel. Possibility of a wooden cover for the hook. Indoor use.

Weight 0,1 kg

Dimensions Ø 6,5 x L 3,5 cm

 Apilable
 Stackable
 Empilable

Packaging / box - Elastica small wall hook

STD output	Volume Pack (m³)	Units Container 20'	Units Container 40'	Units Container 40HC	Units Truck 70m³	Units Truck 100m³
1X	0,002	16000	32000	34500	38500	40200

Packaging / box - Small wooden hook cover

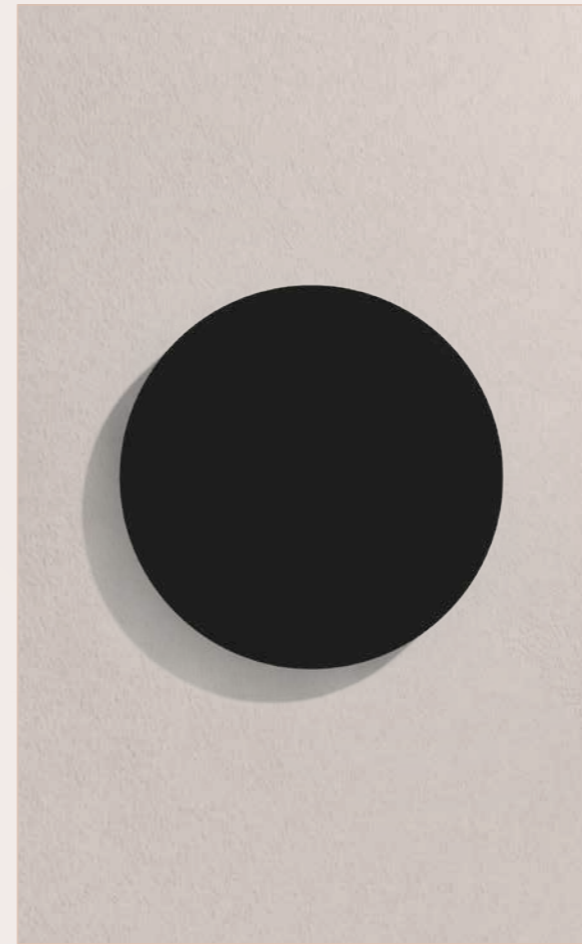
STD output	Volume Pack (m³)	Units Container 20'	Units Container 40'	Units Container 40HC	Units Truck 70m³	Units Truck 100m³
1X	0,002	16000	32000	34500	38500	40200

Colors



Antracita | Antracite | Antracite
 Finish: Textured anthracite coating

RAL 9005



Large wall hook

Large wall hook of painted steel. Possibility of a wooden cover for the hook. Indoor use.

Weight 0,16 kg

Dimensions Ø 8,5 x L 3,5 cm

 Apilable
 Stackable
 Empilable

Packaging / box - Elastica large wall hook

STD output	Volume Pack (m³)	Units Container 20'	Units Container 40'	Units Container 40HC	Units Truck 70m³	Units Truck 100m³
1X	0,002	16000	32000	34500	38500	40200

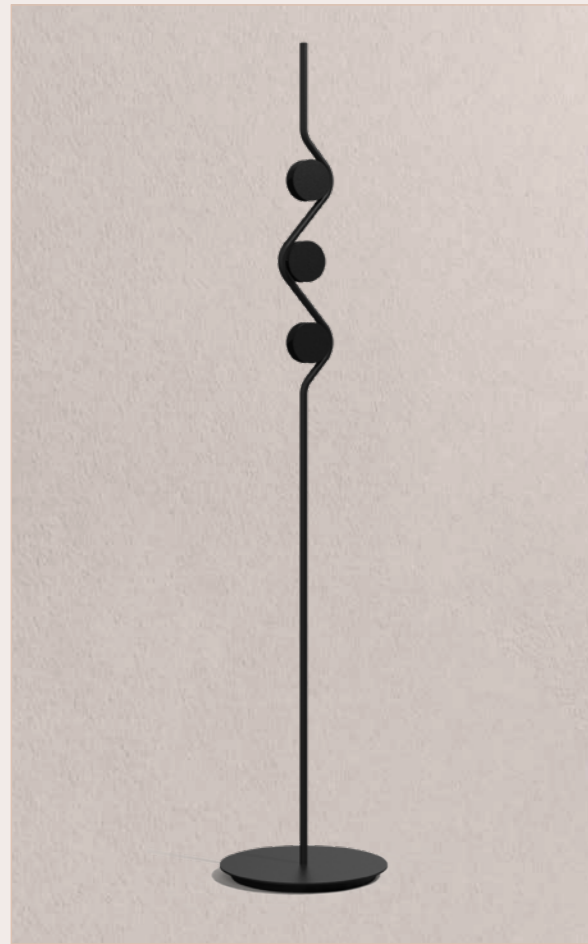
Packaging / box - Large wooden hook cover

STD output	Volume Pack (m³)	Units Container 20'	Units Container 40'	Units Container 40HC	Units Truck 70m³	Units Truck 100m³
1X	0,002	16000	32000	34500	38500	40200

Wood option

Beech wood





6-Piece freestanding coat rack

6-Piece freestanding coat rack of painted steel. Indoor use.

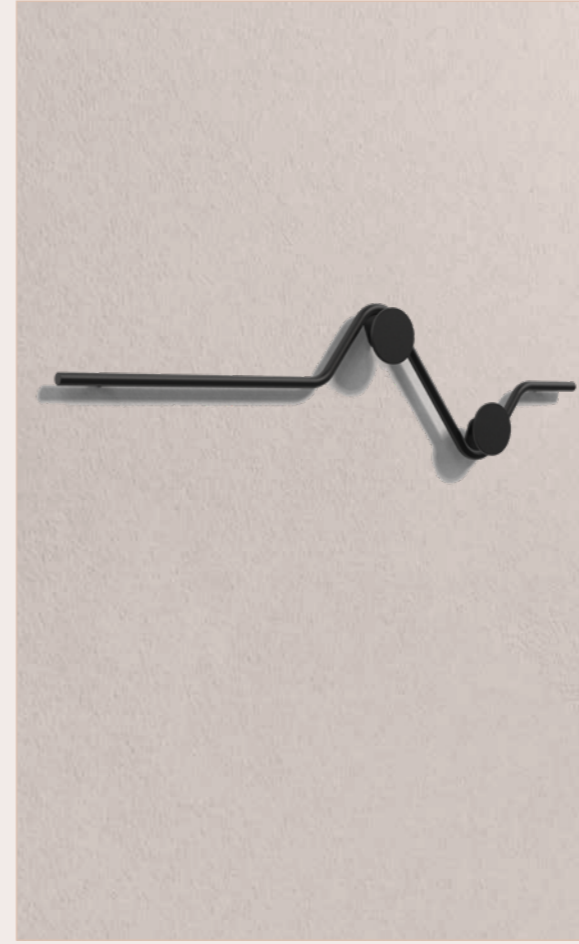
Weight 5,5 kg

Dimensions Ø 32 x H 170 cm


 Apilable
 Stackable
 Empilable

Packaging / box - 6-piece freestanding coat rack

STD output	Volume Pack (m³)	Units Container 20'	Units Container 40'	Units Container 40HC	Units Truck 70m³	Units Truck 100m³
1X (BULTO 1)	0,034	898	1920	2160	2556	2798
1X (BULTO 2)	0,012					



2-Piece wall coat rack

2-Piece wall coat rack of painted steel. Indoor use.

Weight 0,957 kg

Dimensions W 70 x L 4,5 x H 9,1 cm


 Apilable
 Stackable
 Empilable

Packaging / box - 2-piece wall coat rack

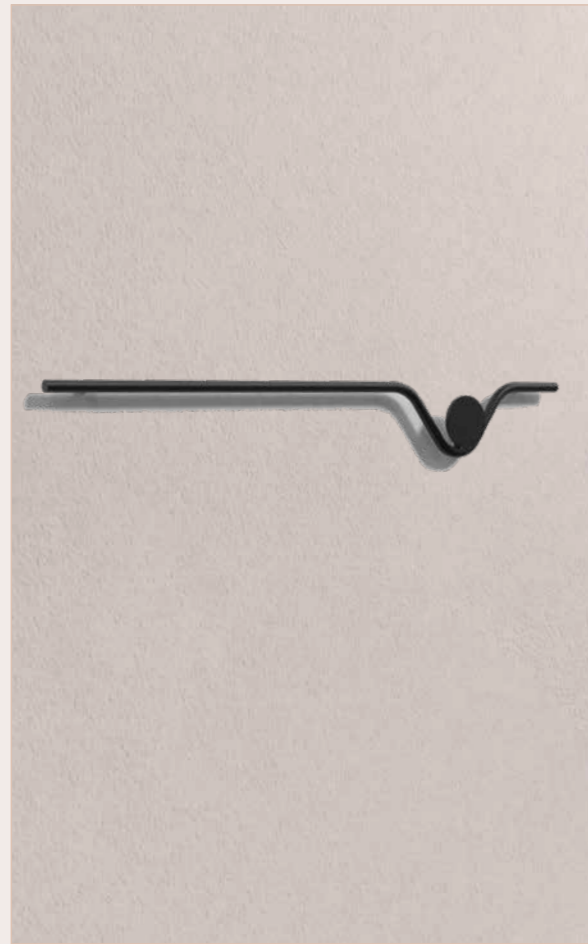
STD output	Volume Pack (m³)	Units Container 20'	Units Container 40'	Units Container 40HC	Units Truck 70m³	Units Truck 100m³
1X	0,018	1755	3600	4080	4758	4758

Colors



Antracita | Antracite | Antracite
 Finish: Textured anthracite coating

RAL 9005



1-Piece wall coat rack

1-Piece wall coat rack of painted steel.
Indoor use.

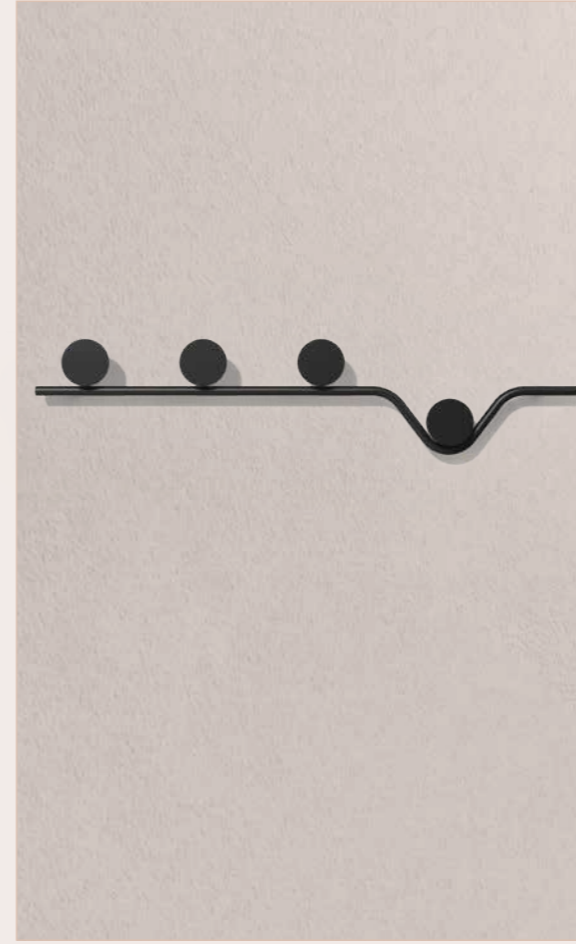
Weight 0,797 kg

Dimensions W 70 x L 4,5 x H 15,3 cm


 Apilable
 Stackable
 Empilable

Packaging / box – 1-piece wall coat rack

STD output	Volume Pack (m ³)	Units Container 20'	Units Container 40'	Units Container 40HC	Units Truck 70m ³	Units Truck 100m ³
1X	0,018	1755	3600	4080	4758	4758



4-Piece wall coat rack

4-Piece wall coat rack of painted steel.
Indoor use.

Weight 1,137 kg

Dimensions W 70 x L 4,5 x H 16,76 cm


 Apilable
 Stackable
 Empilable

Packaging / box – 4-piece wall coat rack

STD output	Volume Pack (m ³)	Units Container 20'	Units Container 40'	Units Container 40HC	Units Truck 70m ³	Units Truck 100m ³
1X	0,018	1755	3600	4080	4758	4758

Colors



Antracita | Antracite | Antracite
Finish: Textured anthracite coating

RAL 9005

Product code

Elastica

ELASTICA	1X
ELASTICA LARGE WALL HOOK	41678.1X.ANT.CLGR
ELASTICA SMALL WALL HOOK	41677.1X.ANT.CLPEQ
ELASTICA SMALL WOODEN HOOK COVER	41674.1X.HAYA.FMADPQ
ELASTICA LARGE WOODEN HOOK COVER	41681.1X.HAYA.FMADGD
ELASTICA 6-PIECE FREESTANDING COAT RACK	41675.1X.ANT.ACEPPIE
ELASTICA 2-PIECE WALL COAT RACK	41679.1X.ANT.ACEPPD2
ELASTICA 1-PIECE WALL COAT RACK	41680.1X.ANT.ACEPPD1
ELASTICA 4-PIECE WALL COAT RACK	41676.1X.ANT.ACEPPD4



Silentio



Jordi Blasi & Nahtrang Design



Jordi Blasi,
Industrial designer



Daniel Vila & Ester Pujol,
Industrial designers,
Managing Partner at Nahtrang

Jordi Blasi (Barcelona, 1980), industrial designer by Eina, Arts and Design University Center, works in product, packaging, furniture and lighting. Established as a freelance designer in 2010, he combines his professional activity and teaching, being a teacher at the IED and ESDesign Barcelona schools, and the communication, as an expert design editor. Several of his projects were selected by the Delta Awards, among which stands out the BOX bin by Vilagrassa.

Daniel Vila (Sant Quirze Safaja, 1975) and Ester Pujol (Sabadell, 1977), industrial designers by Escola Massana (Barcelona). In 2004 they founded Nahtrang Design, putting together the wide professional experience and personal knowledge. Between 2007 - 2008 they have occasionally collaborated in sessions on Joining the labour world in Escola Massana and sporadically as guest teachers at the design school Eina and Elisava. Their products appeared in numerous specialized publications such as Experiment, Creativity, Casa Viva, Interior Design, Incubator Berlin, ON Design, among others. In 2012 they won one of the Delta Silver awards for the Pile beacon. Currently they develop projects for national and international companies.



Restaurant & Bar
Product Design Awards



Working and contract spaces increasingly of more open concept, where sharing and socializing become more important, make the acoustics one of the big challenges on the market.

The Silentio collection is introduced in this circumstance with three acoustic elements, floor and table versions, conceived as dividing elements and a 3rd wall version. They represent the first series of a more ambitious collection that will allow to completely fit up any environment.

Simple and equilibrated elements and a functional design that acquires, optionally, and through the articulation of some accessories, the functions of a hanger and an object-holder. Manufactured in a sound absorbing material that significantly improves the acoustics, reducing the reverberations and absorbing the background sound, Silentio incorporates fire retardant features, tested and certified according to international regulations. A sustainable material made of recycled PET bottles and available in different colours that allows the customization of different spaces.





Desktop sound absorbing panel

Acoustic panels in **recycled PET** for working spaces, office or leisure. Its functional design and variety of colours are suitable for numerous environments. Indoor use. Easy assembly. Not assembled.

Measures PET Panel and structure

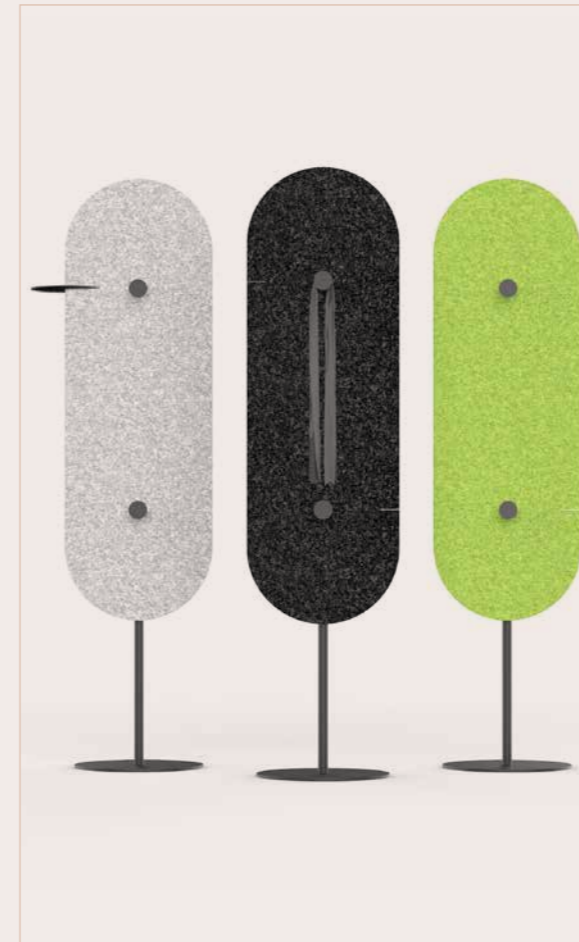
Total measures: 40 x 20 x 43,1 cm
 PET panel thickness 12 mm - Ø 40
 Total weight: 1,9 kg

Steel disk measures

Total measures: Ø 6,5 x 3,5 cm
 Disk thickness 3 mm
 Weight: 0,1 kg

Packaging/Box - Desktop sound absorbing panel

STD output	Volume Pack (m³)	Units Container 20'	Units Container 40'	Units Container 40HC	Units Truck 70m³	Units Truck 100m³
1X	0,068	436	938	1060	1240	1420



Freestanding sound absorbing panel

Acoustic panels in **recycled PET** for working spaces, office or leisure. Its functional design and variety of colours are suitable for numerous environments. Indoor use. Easy assembly. Not assembled.

Measures PET Panel and structure.

Total measures: 50 x 35 x 159,7 cm
 PET panel thickness 12 mm - 40 x 120 cm
 Total weight: 5,8 kg

Medidas Disco Acero

Total measures: Ø 6,5 x 3,5 cm
 Disk thickness 3 mm
 Weight: 0,1 kg


Steel disk measures - tray

Total measures: ø 20 cm
 Disk thickness 3 mm

Packaging/Box - Freestanding sound absorbing panel


STD output	Volume Pack (m³)	Units Container 20'	Units Container 40'	Units Container 40HC	Units Truck 70m³	Units Truck 100m³
1X	0,203	130	290	340	420	470


Finish


 Antracita | Antracite | Antracite
 Finish: Textured anthracite coating

RAL 9005

Colors

 Verde | Green | Vert

 Gris Claro | Light Grey | Gris Clair


 Gris Oscuro | Dark Grey | Gris Foncé

Greenish GP-12


Greenish GP-03

Greenish GP-08

Materials

 · Acoustic panels in PET. 94,3%
 Post-consumer recycled Polyester

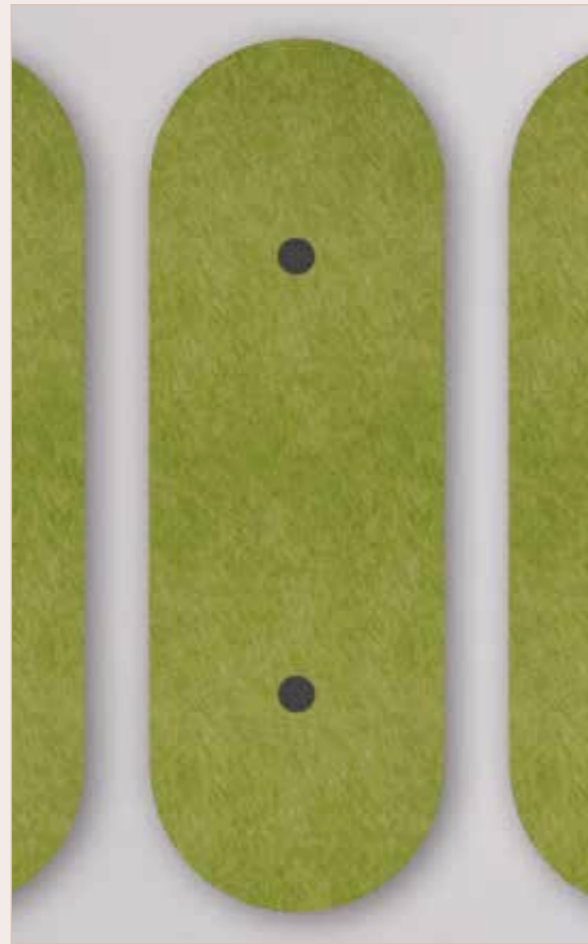
 · Fire retardant

 · Noise reduction coefficient: NRC 0,85

 · Steel structure

Maintenance

For the general cleaning, use water and soap or a mild detergent and rinse with a wet cloth (cloth in cotton).
 Dry well.
 In case of persistent dirt, use a non-metallic scouring pad with light pressure.
 Avoid abrasive products that could scratch the surface and disinfectants containing bleach (sodium hypochlorite)



Wall sound absorbing panel

Acoustic panels in **recycled PET** for working spaces, office or leisure. Its functional design and variety of colours are suitable for numerous environments. Indoor use. Easy assembly. Not assembled.

Measures PET Panel

Total measures: 1 x 40 x 120 cm
Grosor panel PET 12 mm – 40 x 120 cm
Total weight: 1,08 kg


Steel disk measures

Total measures: Ø 6,5 x 3,5 cm
Disk thickness 3 mm
Weight: 0,1 kg

Packaging/Box - Wall sound absorbing panel

STD output	Volume Pack (m ³)	Units Container 20'	Units Container 40'	Units Container 40HC	Units Truck 70m ³	Units Truck 100m ³
1X	0,203	130	290	340	420	470

Finish


 Antracita | Antracite | Antracite
Finish: Textured anthracite coating

RAL 9005

Colors

 Verde | Green | Vert

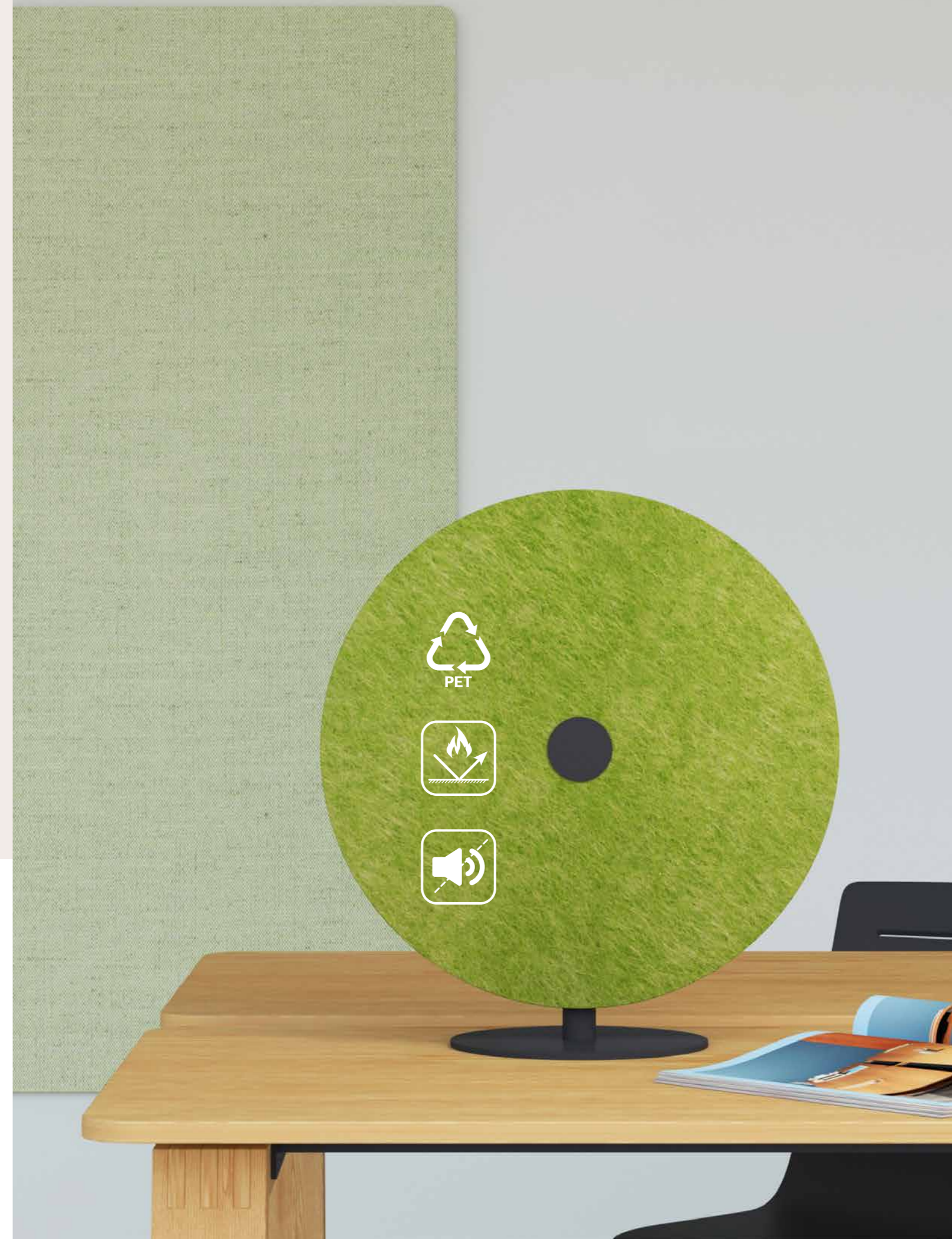
 Gris Claro | Light Grey | Gris Clair

 Gris Oscuro | Dark Grey | Gris Foncé

Greenish GP-12

Greenish GP-03

Greenish GP-08



Product code

Silentio

SILENTIO	1X
SILENTIO GREEN DESKTOP SOUND ABSORBING PANEL	41670.1X.VD.PACSOB
SILENTIO LIGHT GREY DESKTOP SOUND ABSORBING PANEL	41670.1X.GCL.PACSOB
SILENTIO DARK GREY DESKTOP SOUND ABSORBING PANEL	41670.1X.GO.PACSOB
SILENTIO GREEN FREESTANDING SOUND ABSORBING PANEL	41671.1X.VD.PACPIE
SILENTIO LIGHT GREY FREESTANDING SOUND ABSORBING PANEL	41671.1X.GCL.PACPIE
SILENTIO DARK GREY FREESTANDING SOUND ABSORBING PANEL	41671.1X.GO.PACPIE
SILENTIO GREEN WALL SOUND ABSORBING PANEL	41672.1X.VD.PACPD
SILENTIO LIGHT GREY WALL SOUND ABSORBING PANEL	41672.1X.GCL.PACPD
SILENTIO DARK GREY WALL SOUND ABSORBING PANEL	41672.1X.GO.PACPD



Mercuri mr-60

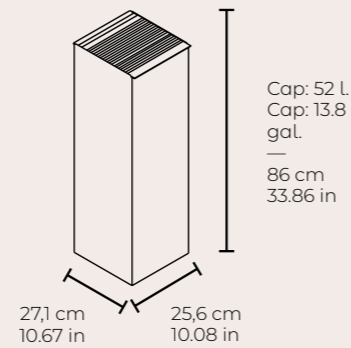
Grup Bonamusa

Recycling bin. Printed vinyl waste pictograms. Recycling bin with ashtray. Painted steel or stainless steel body and extruded aluminum profile lids with matte silver anodized finish. Indoor use. Public spaces. Bag holder ring.

Capacity: 52 L.

Mesures

Dimensions: 27,1 x 25,6 x 86 cm



Mercuri mr-61

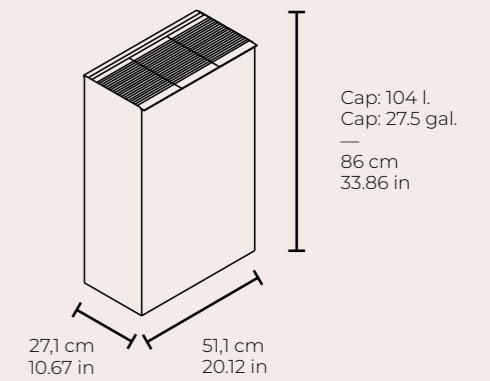
Grup Bonamusa

Recycling wastepaper basket 3 waste types. Printed vinyl waste pictograms. Recycling bin with ashtray. Painted steel or stainless steel body and extruded aluminum profile lids with matte silver anodized finish. Indoor use. Public spaces. Bag holder ring.

Capacity: 104 L.

Mesures

Dimensions: 27,1 x 51,1 x 86 cm



Colors

- Oxid Red Ral 3009
- Green Olive Ral 6003
- Orange Brown Ral 8023
- Blue Ocean Ral 5020
- Light Grey Ral 7035
- Grey Ral 7043

Spam 03

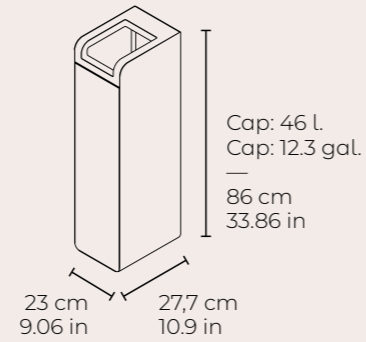
Anton Arola & Jordi Tamayo

Painted steel sheet bin with polystyrene head flap. Indoor use.

Capacity: 46 L.

Mesures

Dimensions: 23 x 27,7 x 86 cm



Hall 3

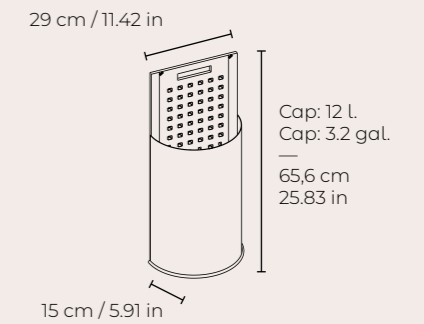
Josep Llusca

Single wastepaper basket. Body made of steel painted. Portable panel and base made of injected polypropylene. Indoor use. Public spaces.

Capacity: 12 L.

Mesures

Dimensions: 15 x 29 x 65,6 cm



Colors

- Oxid Red Ral 3009
- Green Olive Ral 6003
- Orange Brown Ral 8023
- Blue Ocean Ral 5020
- Light Grey Ral 7035
- Grey Ral 7043

Ash-01

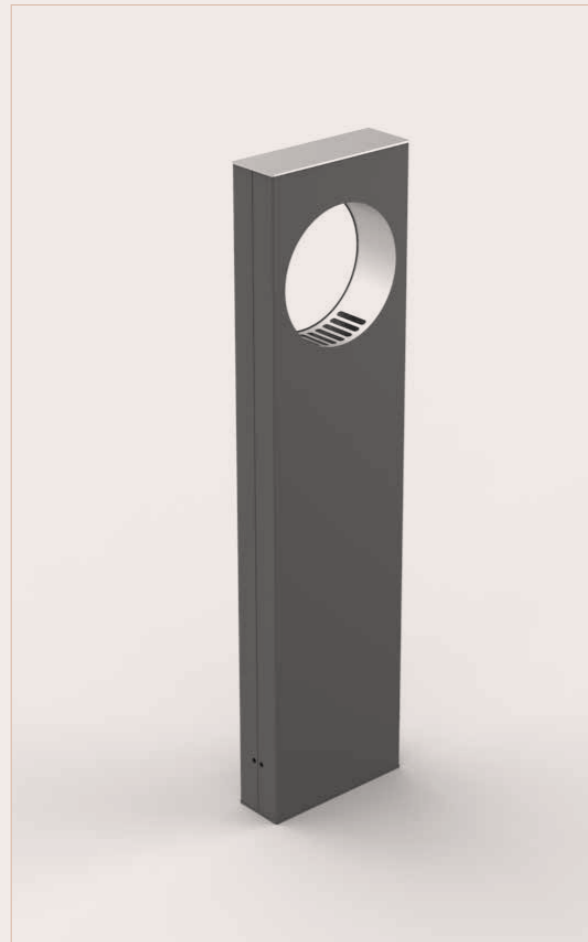
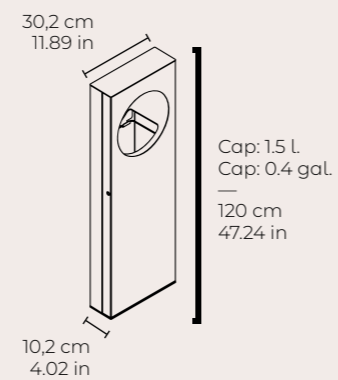
2-0 Disseny

Ashtray with high-gloss AISI 304 stainless steel upper part and rim. Painted steel body with antirust treatment. Outdoor use. Public spaces. Bag holder ring. Key locker. Door.

Capacity: 15 L.

Mesures

Dimensions: 10,2 x 30,2 x 120 cm



Ash-02

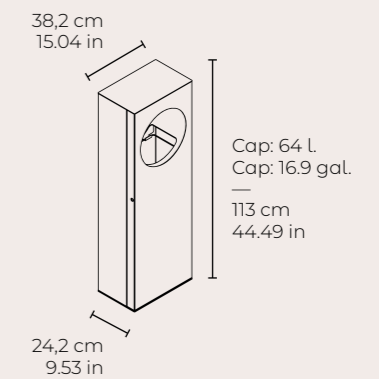
2-0 Disseny

Bin with painted steel body with anti-rust treatment, and high-gloss stainless steel lid and rim. Outdoor use. Public spaces. Bag holder ring. Key locker. Door.

Capacity: 64 L.

Mesures

Dimensions: 24,2 x 38,2 x 113 cm



Colors

- Oxid Red Ral 3009
- Green Olive Ral 6003
- Orange Brown Ral 8023
- Blue Ocean Ral 5020
- Light Grey Ral 7035
- Grey Ral 7043

Artria-01

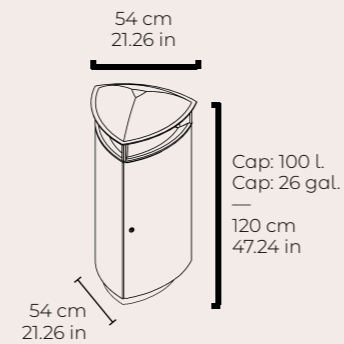
TEC Studio

Wastepaper basket with head. Bin with painted steel or stainless steel body, and die-cast aluminium upper rim and lid. Concrete base. Optional galvanised steel inner tray. Outdoor use. Bag holder ring. Key locker. Door. Optional Fixing.

Capacity: 100 L.

Mesures

Dimensions: 54 x 54 x 120 cm



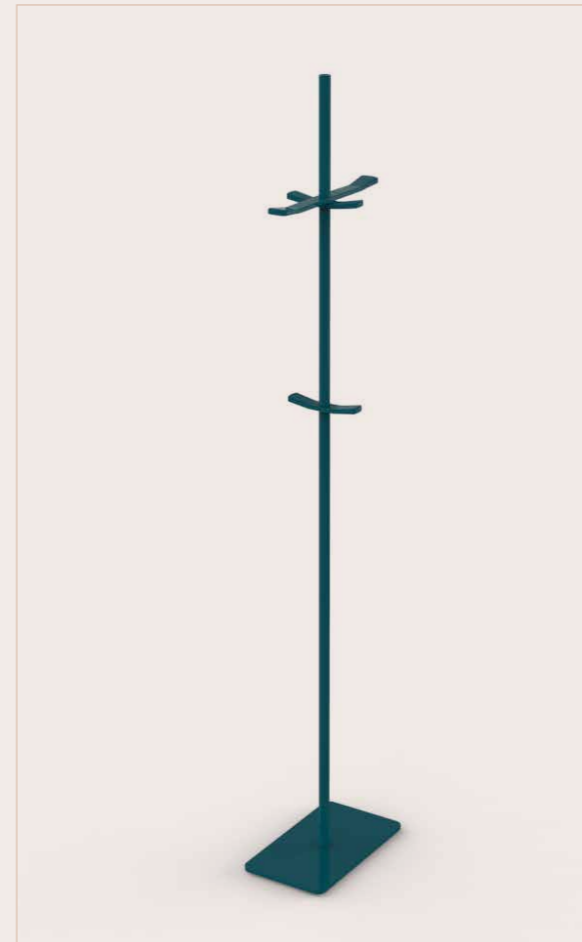
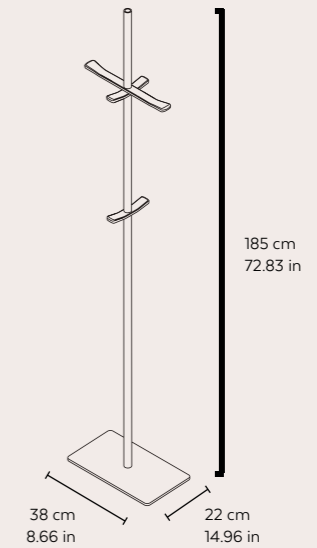
Nuda 01

Anton Arola & Jordi Tamayo

Coat hanger with extruded aluminium pole. Hooks are made of cast aluminium. Indoor use.

Mesures

Dimensions: 38 x 22 x 185 cm



Colors

- Oxid Red Ral 3009
- Green Olive Ral 6003
- Orange Brown Ral 8023
- Blue Ocean Ral 5020
- Light Grey Ral 7035
- Grey Ral 7043



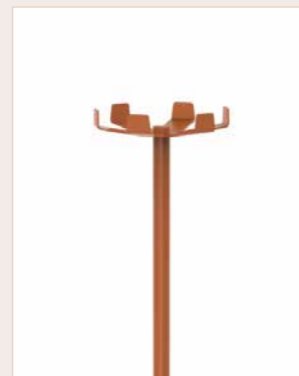
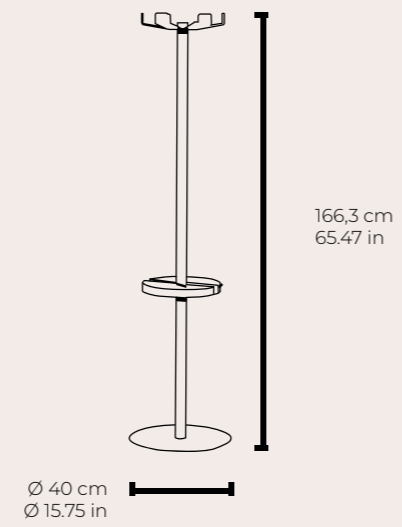
Kit 30

Nahrang


Coat stand. Painted steel structure. Indoor use.

Mesures

Dimensions: Ø 40 X 166,3 cm



Colors

	Oxid Red	Ral 3009
	Green Olive	Ral 6003
	Orange Brown	Ral 8023
	Blue Ocean	Ral 5020
	Light Grey	Ral 7035
	Grey	Ral 7043



Product code*

Vilagrassa

MERCURI MR-60 COLOR	1X
MERCURI MR-60 PAPER BIN 256X271X860 52L ACER PAINTED COLOR ORANGE 1X	40811.1X.NJ8023.HIAL
MERCURI MR-60 PAPER BIN 256X271X860 52L ACER PAINTED GREEN COLOR 1X	40811.1X.VD6003.HIAL
MERCURI MR-60 PAPER BIN 256X271X860 52L ACER PAINTED BLUE COLOR 1X	40811.1X.AZ5020.HIAL
MERCURI MR-60 PAPER BIN 256X271X860 52L ACER PAINTED DARK GRAY 1X	40811.1X.GROS7043.HIAL
MERCURI MR-60 PAPER BIN 256X271X860 52L ACER PAINTED RED COLOR 1X	40811.1X.RJ3009.HIAL
MERCURI MR-60 PAPER BIN 256X271X860 52L ACER PAINTED LIGHT GRAY 1X	40811.1X.GRCL7035.HIAL

MERCURI MR-61 COLOR	1X
MERCURI MR-61 BIN 511X271X860 3X34L RECYCLING 3 WASTE ACER PAINTED ORANGE AND ALUMINUM LID GRAY PAINTED RAL 9006 1X	40812.1X.NJ8023.HIAL
MERCURI MR-61 BIN 511X271X860 3X34L RECYCLING 3 WASTE ACER GREEN PAINTED AND GRAY ALUMINUM LID RAL 9006 1X	40812.1X.VD6003.HIAL
MERCURI MR-61 BIN 511X271X860 3X34L RECYCLING 3 WASTE ACER PAINTED BLUE AND ALUMINUM LID GRAY RAL 9006 1X	40812.1X.AZ5020.HIAL
MERCURI MR-61 BIN 511X271X860 3X34L RECYCLING 3 WASTE ACER PAINTED DARK GRAY AND ALUMINUM LID PAINTED GRAY RAL 9006 1X	40812.1X.GROS7043.HIAL
MERCURI MR-61 BIN 511X271X860 3X34L RECYCLING 3 WASTE ACER RED PAINTED AND GRAY ALUMINUM LID RAL 9006 1X	40812.1X.RJ3009.HIAL
MERCURI MR-61 BIN 511X271X860 3X34L RECYCLING 3 WASTE ACER PAINTED LIGHT GRAY AND ALUMINUM LID PAINTED GRAY RAL 9006 1X	40812.1X.GRCL7035.HIAL

SPAM-03 COLOR	1X
SPAM-03 BIN 230X277X860 46L STEEL PAINTED FRONT AND REAR IN ORANGE, SIDES IN ORANGE AND BLACK POLYSTYRENE HEAD 1X	41125.1X.NJ8023.HIPLAST
SPAM-03 BIN 230X277X860 46L STEEL PAINTED FRONT AND REAR GREEN, SIDE GREEN AND POLYSTYRENE BLACK 1X	41125.1X.VD6003.HIPLAST
SPAM-03 BIN 230X277X860 46L STEEL PAINTED FRONT AND REAR IN BLUE, SIDES IN BLUE AND POLYSTYRENE BLACK HEAD 1X	41125.1X.AZ5020.HIPLAST
SPAM-03 STAINLESS STEEL BIN 230X277X860 46L PAINTED FRONT AND REAR IN DARK GRAY, SIDES IN DARK GRAY AND 1X BLACK POLYSTYRENE HEAD	41125.1X.GROS7043.HIPLAST
SPAM-03 BIN 230X277X860 46L STEEL PAINTED FRONT AND REAR IN RED, SIDES IN RED AND 1X BLACK POLYSTYRENE HEAD	41125.1X.RJ3009.HIPLAST
SPAM-03 BIN 230X277X860 46L STEEL PAINTED FRONT AND REAR IN LIGHT GRAY, SIDES IN LIGHT GRAY AND BLACK POLYSTYRENE HEAD 1X	41125.1X.GRCL7035.HIPLAST

HALL-3 COLOR	1X
HALL-3 BIN 290X150X656 12L SINGLE REAR BLACK PLASTIC AND BODY STEEL PAINTED ORANGE 1X	40576.1X.NJ8023.HIPLAST
HALL-3 BIN 290X150X656 12L SINGLE REAR BLACK PLASTIC AND BODY GREEN PAINTED STEEL 1X	40576.1X.VD6003.HIPLAST
HALL-3 BIN 290X150X656 12L SINGLE REAR BLACK PASTIC AND BLUE PAINTED STEEL BODY 1X	40576.1X.AZ5020.HIPLAST
HALL-3 BIN 290X150X656 12L SINGLE REAR BLACK PLASTIC AND BODY PAINTED STEEL DARK GRAY 1X	40576.1X.GROS7043.HIPLAST
HALL-3 BIN 290X150X656 12L SINGLE REAR BLACK PLASTIC AND RED PAINTED STEEL BODY 1X	40576.1X.RJ3009.HIPLAST
HALL-3 BIN 290X150X656 12L SINGLE REAR BLACK PLASTIC AND BODY LIGHT GRAY PAINTED STEEL 1X	40576.1X.GRCL7035.HIPLAST

ASH-01 COLOR	1X
ASH-01 ASHTRAY 320X102X1200 STAINLESS STEEL BRIGHT POLISHED AND PAINTED STEEL ORANGE 1X	40094.1X.NJ8023.HIIN
ASH-01 ASHTRAY 320X102X1200 STAINLESS STEEL BRIGHT POLISHED AND GREEN PAINTED STEEL 1X	40094.1X.VD6003.HIIN
ASH-01 ASHTRAY 320X102X1200 STAINLESS STEEL BRIGHT POLISHED AND BLUE PAINTED STEEL 1X	40094.1X.AZ5020.HIIN
ASH-01 ASHTRAY 320X102X1200 STAINLESS STEEL BRIGHT POLISHED AND PAINTED STEEL DARK GRAY 1X	40094.1X.GROS7043.HIIN
ASH-01 ASHTRAY 320X102X1200 STAINLESS STEEL BRIGHT POLISHED AND RED PAINTED STEEL 1X	40094.1X.RJ3009.HIIN
ASH-01 ASHTRAY 320X102X1200 STAINLESS STEEL BRIGHT POLISHED AND LIGHT GRAY PAINTED STEEL 1X	40094.1X.GRCL7035.HIIN

ASH-02 COLOR	1X
ASH-02 BIN 382x242x1130 64L STAINLESS AND PAINTED IRON ORANGE 1X	40097.1X.NJ8023.HIIN
ASH-02 BIN 382x242x1130 64L STAINLESS AND GREEN PAINTED IRON 1X	40097.1X.VD6003.HIIN
ASH-02 BIN 382x242x1130 64L STAINLESS AND 1X BLUE PAINTED IRON	40097.1X.AZ5020.HIIN
ASH-02 BIN 382x242x1130 64L STAINLESS AND PAINTED IRON DARK GRAY 1X	40097.1X.GROS7043.HIIN
ASH-02 BIN 382x242x1130 64L STAINLESS AND RED PAINTED IRON 1X	40097.1X.RJ3009.HIIN
ASH-02 BIN 382x242x1130 64L STAINLESS AND LIGHT GRAY PAINTED IRON 1X	40097.1X.GRCL7035.HIIN

ARTRIA-01 COLOR	1X
ARTRIA-01 BIN BIN WITH HEAD 540X540X1200 100L OPTIONAL INTERIOR BIN PAINTED STEEL ORANGE COLOR 1X	40087.1X.NJ8023.HIAL
ARTRIA-01 BIN BIN WITH HEAD 540X540X1200 100L INTERIOR BIN OPTIONAL STEEL PAINTED GREEN COLOR 1X	40087.1X.VD6003.HIAL
ARTRIA-01 BINS WITH HEAD 540X540X1200 100L OPTIONAL INTERIOR BIN PAINTED STEEL BLUE 1X	40087.1X.AZ5020.HIAL
ARTRIA-01 BIN BIN WITH HEAD 540X540X1200 100L OPTIONAL INTERIOR BIN PAINTED STEEL DARK GRAY 1X	40087.1X.GROS7043.HIAL
ARTRIA-01 BIN BIN WITH HEAD 540X540X1200 100L OPTIONAL INTERIOR BIN PAINTED STEEL RED 1X	40087.1X.RJ3009.HIAL
ARTRIA-01 BIN BIN WITH HEAD 540X540X1200 100L OPTIONAL INTERIOR BIN PAINTED STEEL LIGHT GRAY 1X	40087.1X.GRCL7035.HIAL

NUDA-01 COLOR	1X
NUDA-01 COAT HANGER 380X220X1850 STAND ALUMINUM PAINTED ORANGE 1X	40903.1X.NJ8023.ALUM
NUDA-01 COAT HANGER 380X220X1850 STAND ALUMINUM PAINTED GREEN 1X	40903.1X.VD6003.ALUM
NUDA-01 COAT HANGER 380X220X1850 STAND ALUMINUM PAINTED BLUE 1X	40903.1X.AZ5020.ALUM
NUDA-01 COAT HANGER 380X220X1850 STAND ALUMINUM PAINTED DARK GRAY 1X	40903.1X.GROS7043.ALUM
NUDA-01 COAT HANGER 380X220X1850 STAND ALUMINUM PAINTED RED 1X	40903.1X.RJ3009.ALUM
NUDA-01 COAT HANGER 380X220X1850 STANDING ALUMINUM PAINTED LIGHT GRAY 1X	40903.1X.GRCL7035.ALUM

KIT-30 COLOR	1X
KIT-30 COAT HANGER Ø400xx663 STANDING STEEL PAINTED ORANGE 1X	41389.1X.NJ8023.ACERO
KIT-30 COAT HANGER Ø400xx663 STANDING GREEN PAINTED STEEL 1X	41389.1X.VD6003.ACERO
KIT-30 COAT HANGER Ø400xx663 STANDING STEEL PAINTED BLUE 1X	41389.1X.AZ5020.ACERO
KIT-30 COAT HANGER Ø400xx663 STANDING STAINLESS STEEL PAINTED GRAY 1X	41389.1X.GROS7043.ACERO
KIT-30 COAT HANGER Ø400xx663 STANDING RED PAINTED STEEL 1X	41389.1X.RJ3009.ACERO
KIT-30 COAT HANGER Ø400xx663 STANDING STAINLESS STEEL LIGHT GRAY 1X	41389.1X.GRCL7035.ACERO

Pricing:

* Prices valid for a minimum order of 25 units per code. Please consult prices for orders smaller than 25 units per code.

www.resol.es

78134/20 8411344781340

 **Resol**
live your space