

R|O|D|A

NEW PRODUCTS 2021

PLEIN AIR COLLECTION

DESIGN MICHAEL ANASTASSIADES



"I believe in shapes that are simple and clear. For me, there needs to be a reason behind a shape, so I like things that make sense. Geometry is important, because I can understand it in simple terms."



Anastassiades is a Cyprus-born, London-based designer who studied civil engineering at Imperial College London before taking a master's degree in industrial design at the Royal College of Art.

His pieces are distinguished by their **skilful use of materials** and the **immediacy of their function**.

Anastassiades was proclaimed **"Designer of the Year"** in 2019 by the Elle Decoration International Design Awards and in 2020 by the Maison&Object trade show in Paris. He was awarded a **Compasso d'Oro ADI** in 2020 for his lighting system Arrangements.

RODA

PLEIN AIR collection

design MICHAEL ANASTASSIADES



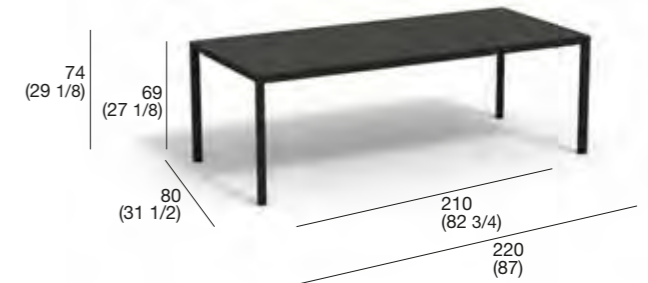
DESCRIPTION Dining table for outdoor use.

STRUCTURE Powder coated aluminium.

TOP Gres.

STORAGE COVER Available.

PLEIN AIR 003



PLEIN AIR 004



PLEIN AIR 005



PLEIN AIR 006



METAL



SMOKE

MILK

TOP/GRES



GRAPHITE

CLAY

LEVANTE COLLECTION

DESIGN PIERO LISSONI



"I designed a collection while thinking of classical outdoor furniture and what we imagine is the classical world of outdoor living, a bit as if these pieces have always existed. And then we used wood in an intelligent way."



The architect, designer and art director Piero Lissoni has been developing international projects in architecture, interiors, products and graphic design for over thirty years.

Precision and simplicity characterise Lissoni's meticulous attention for details, coherence and elegance, all combined with an **eye for proportions and harmony**.

Lissoni has received numerous awards including the **Good Design Award**, **Red Dot Award** and the **Compasso d'Oro ADI**.

RODA

LEVANTE collection

design PIERO LISSONI



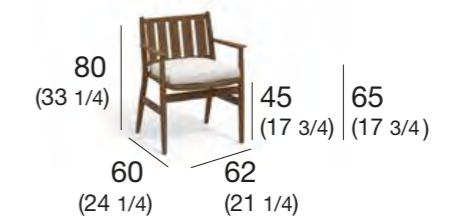
DESCRIPTION Dining table and armchair for outdoor use.

STRUCTURE Teak wood

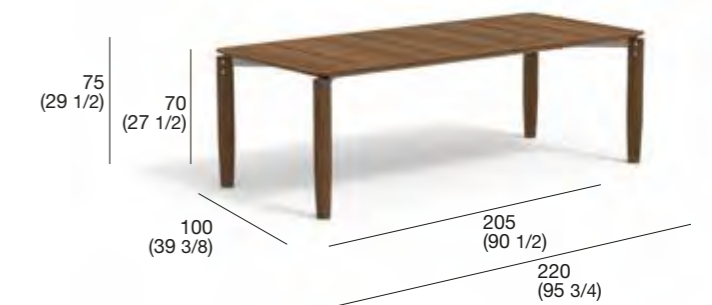
TOP Teak wood

STORAGE COVER Available.

LEVANTE 001 armchair



LEVANTE 022 table



LEVANTE 030 table



STRUCTURE



TEAK

R | O | D | A

LEVANTE collection

design PIERO LISSONI

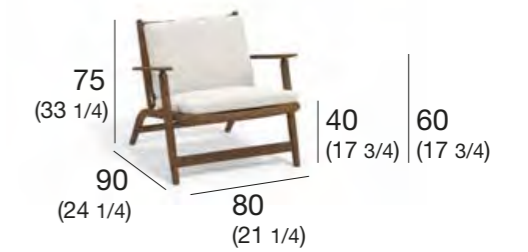


DESCRIPTION Lounge chair and chaise lounge for outdoor use.

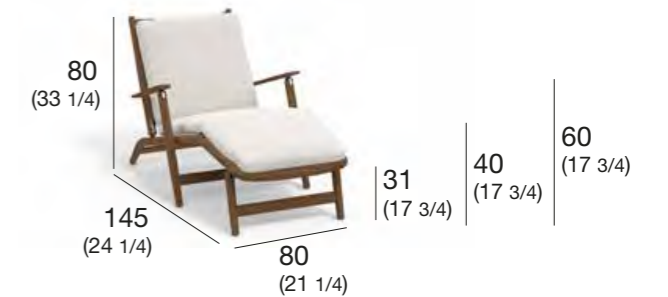
STRUCTURE Teak wood

STORAGE COVER Available.

LEVANTE 007 lounge chair



LEVANTE 008 chaise lounge



STRUCTURE



TEAK

BUTTON, GUEST & SURFER COLLECTION

DESIGN RODA STUDIO



“Functionality, practicality and resistance, both for the contract world and for residential living. Furniture with an immediate appeal, made for outdoor environments to be lived every day.”



RODA

BUTTON collection

design RODA STUDIO

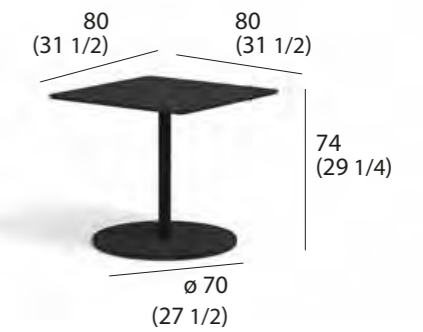


DESCRIPTION Dining table for outdoor use.

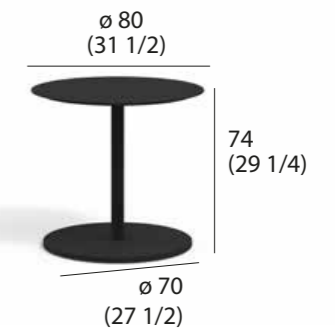
STRUCTURE Powder coated aluminium.

TOP Powder coated aluminium.

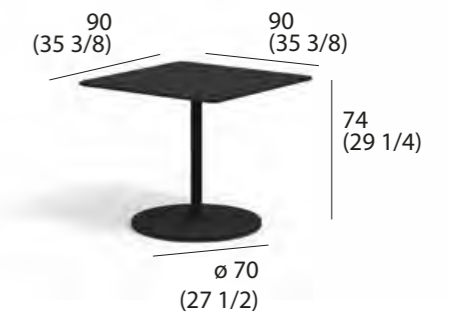
BUTTON 001 table 80x80 cm



BUTTON 002 table ø 80 cm



BUTTON 003 table 90x90 cm



METAL



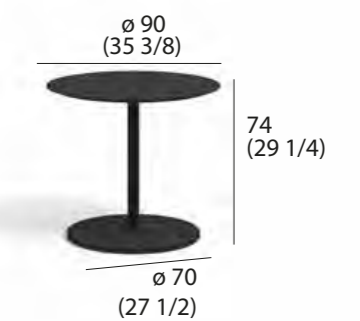
SMOKE

MILK

BUTTON 045 side table



BUTTON 004 table ø 80 cm



RODA

GUEST 001 armchair

design RODA STUDIO



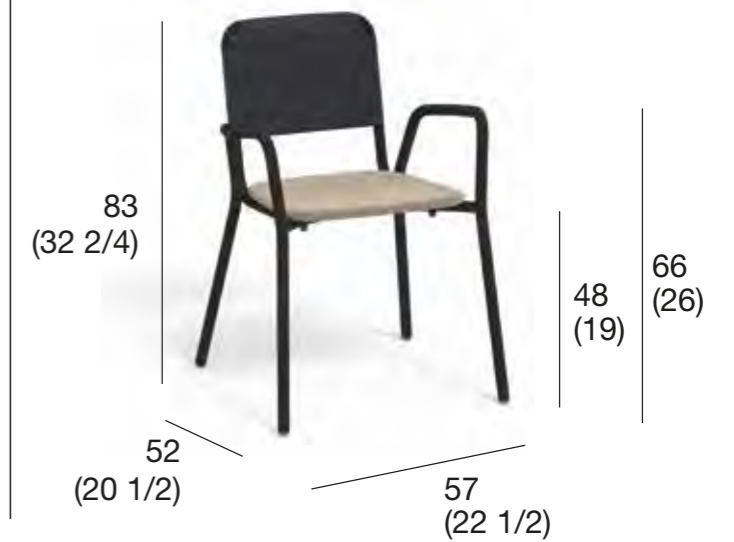
DESCRIPTION Armchair for outdoor use.

STRUCTURE Aluminium frame with electrostatic powder paint.

BACKREST SUPPORT Batyline IMO.

WEIGHT

11 kg



METAL



SMOKE

MILK

BATYLINE IMO



GRAPHITE

CLAY

SEAT



TEAK

HIREK

R | O | D | A

SURFER 001 sunlounger

design RODA STUDIO



DESCRIPTION Sunlounger for outdoor use.

STRUCTURE Aluminium frame with electrostatic powder paint.

BACKREST SUPPORT Batyline IMO.

WEIGHT
10,3 kg

STORAGE COVER Available.



METAL



SMOKE

MILK

BATYLINE IMO



GRAPHITE

CLAY

R | O | D | A

BUSHON collection

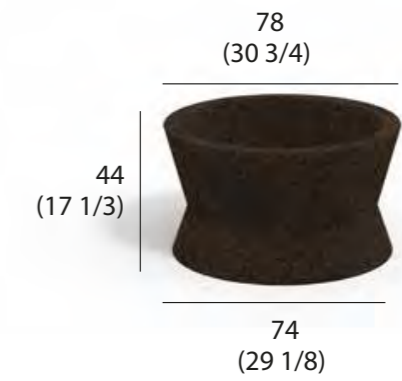
design GORDON GUILLAUMIER



DESCRIPTION Planter for outdoor use.

STRUCTURE Cork.

BUSHON 001



BUSHON 002



BUSHON 003



CORK



CORK

R | O | D | A

TINT collection

design MARIA GABRIELLA ZECCA



DESCRIPTION Rug for outdoor use.

COMPOSITION 100% polypropylene.
Hand-woven on loom

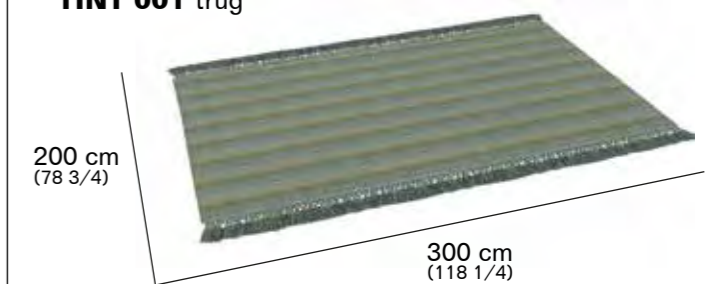
DIMENSION

001: 300x200 cm
(118 2/4 x 78 3/4)
Fringe on long side (max.300 cm)

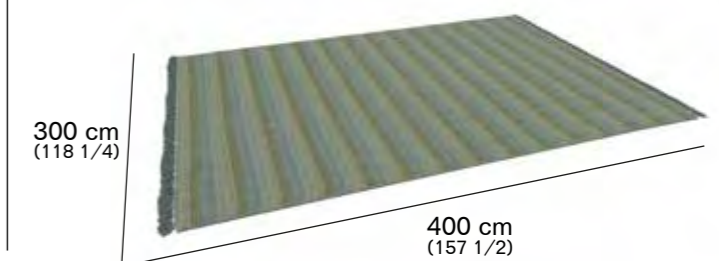
002: 300x400 cm
(118 2/4 x 157 1/2)
Fringe on long side (max.300 cm)

Other size of rug on request
A tolerance of +/-3% in the dimension is tolerated due to the hand production

TINT 001 trug



TINT 002 rug



BLUEEN

GREIGE

R | O | D | A

PIPER 050 Barstool

design RODOLFO DORDONI



DESCRIPTION Barstool for outdoor use.

STRUCTURE Aluminium frame with electrostatic powder paint.

BACKREST SUPPORT Batyline.

CUSHIONS Standard or hydro draining.

WEIGHT

Structure 7,8 kg

Cushion 0,4 kg

STORAGE COVER Available.



METAL

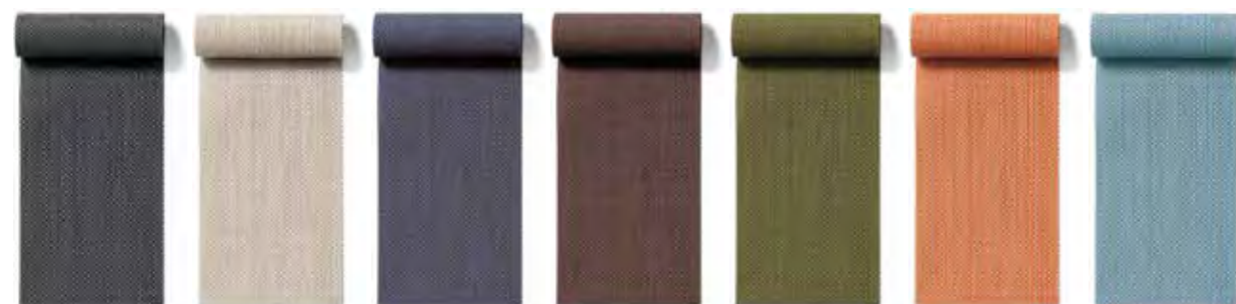


SMOKE

MILK

RUST

BATYLINE



GREY

SAND

BLUE

BROWN

OLIVE

ORANGE

SKY

SEAT



TEAK

HIREK

R | O | D | A

PIPER 150 Barstool

design RODOLFO DORDONI



DESCRIPTION Barstool for outdoor use.

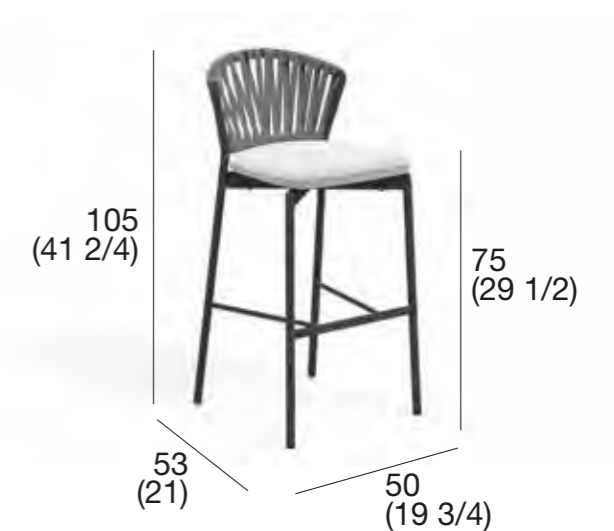
STRUCTURE Aluminium frame with electrostatic powder paint.

BACKREST SUPPORT Polyester or acrylic belts (belt 25 mm)

CUSHIONS Standard or hydro draining.

WEIGHT
Structure 7,8 kg
Cushion 0,4 kg

STORAGE COVER Available.



METAL



SMOKE

MILK

RUST

BELT



GREY

SAND

BROWN

TOBACCO

OLIVE

BLUE

ORANGE

SKY

RECYCLED BELT



CLAY

MINT

ROSE

STONE

TEAL

SEAT



TEAK

HIREK

R | O | D | A

PIPER 250 Barstool

design RODOLFO DORDONI



DESCRIPTION Barstool for outdoor use.

STRUCTURE Aluminium frame with electrostatic powder paint.

BACKREST SUPPORT Polyester padded belt.

CUSHIONS Standard or hydro draining.

WEIGHT

Structure 7,8 kg

Cushion 0,4 kg

STORAGE COVER Available.



METAL



SMOKE

MILK

RUST

PADDED BELT



GREY
SAND

GREY
BLUE

SEAT



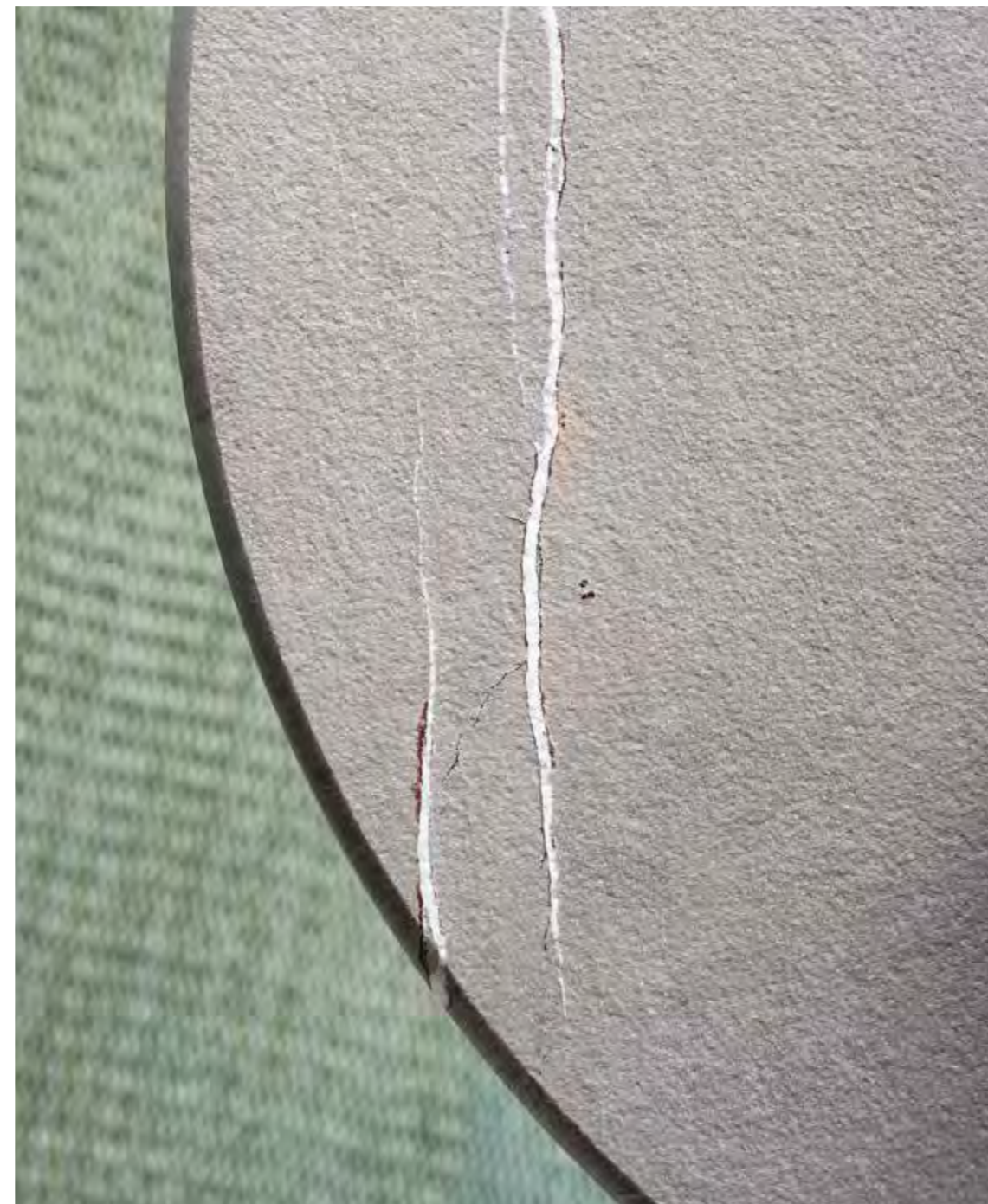
TEAK

HIREK

R | O | D | A

PIPER 013 Coffee table

design RODOLFO DORDONI



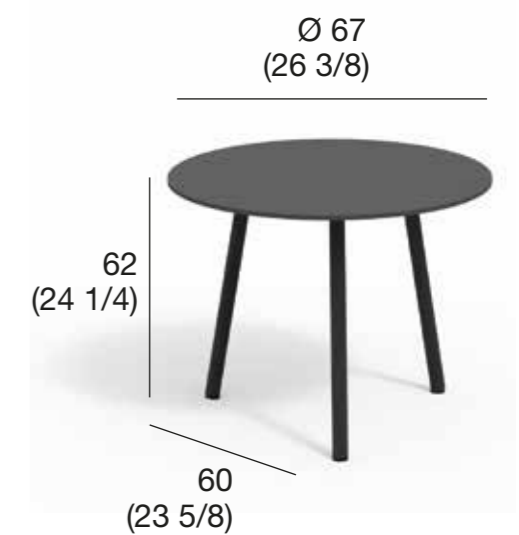
DESCRIPTION Coffee table for outdoor use.

STRUCTURE Aluminium frame with electrostatic powder paint.

TOP Stones, HPL grey or teak wood.

WEIGHT
HPL top 11 kg
Teak top 13 kg
Stone top 38 kg

STORAGE COVER Available.



METAL



SMOKE

MILK

RUST

TOP



CARRARA
MARBLE

LUNA
STONE

FARSENA

HPL
GREY

TEAK

WR
TEAK

NEW FINISHES 2021

RECYCLED ACRYLIC

BELTS



stone



clay



mint



rose



teal

CORDS 3mm + 7mm



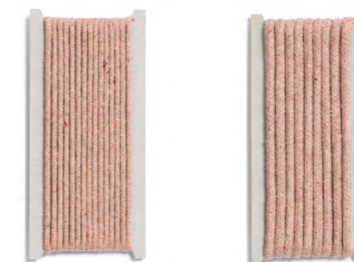
stone



clay



mint



rose



teal

FABRICS



stone



mint



rose



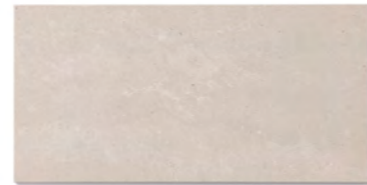
teal

NEW FINISHES 2021

GRES



graphite



clay

GLAZED GRES



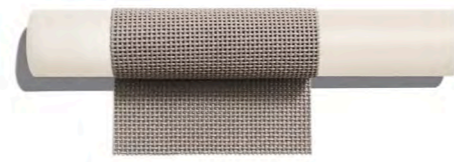
forest

It will replace *Jade* finish
in Teka and Leaf collections

BATYLINE IMO



graphite



clay

CORK



cork

R|O|D|A

RODA S.R.L.

VIA TINELLA 2, 21026

GAVIRATE (VA) ITALY

T +39 0332 74 86

F +39 0332 74 86 55

CONTACT@RODAONLINE.COM

WWW.RODAONLINE.COM